

18G, 2x1 HDMI/mini DP Wall Plate w/Auto-Switching, RS-232, POE

The wall plate is a 2x1 switcher and HDBaseT transmitter with HDMI and DP inputs. It features a US one-gang enclosure for Decora-style wall plate openings with interchangeable black and white wall plates and faceplates. Support video resolution up to 4K2K@50/60Hz 4:4:4. It supports bidirectional RS-232 pass-through, and the RS-232 control signal can be transmitted up to 131ft / 40m. The product is remotely powered by the receiver or other HDBaseT-equipped devices via POE.

Featured Highlights

- Compliant with HDMI 2.0b, HDCP 2.2 and Display Port 1.2a
- Supports 18Gbps video bandwidth
- Video resolution up to 4K2K@50/60Hz 4:4:4
- HDBaseT output can extend video transmission distance up to 230ft / 70m for 1080P@60 or 131ft / 40m for 4K@60 via a single CAT6/6a/7 cable
- Supports 3D, HDR10 and Dolby Vision
- HDMI audio formats support LPCM, Dolby Digital/Plus/EX, Dolby True HD, DTS, DTS-EX, DTS-96/24, DTS High-Res, DTS-HD Master Audio, DSD
- Supports HDMI and MDP input
- US one-gang enclosure for Decora-style wall plate openings
- Input signal selection supports automatic mode and manual mode
- Supports POE function (only from Receiver to Transmitter)
- Available in white or black coating

TECHNICAL

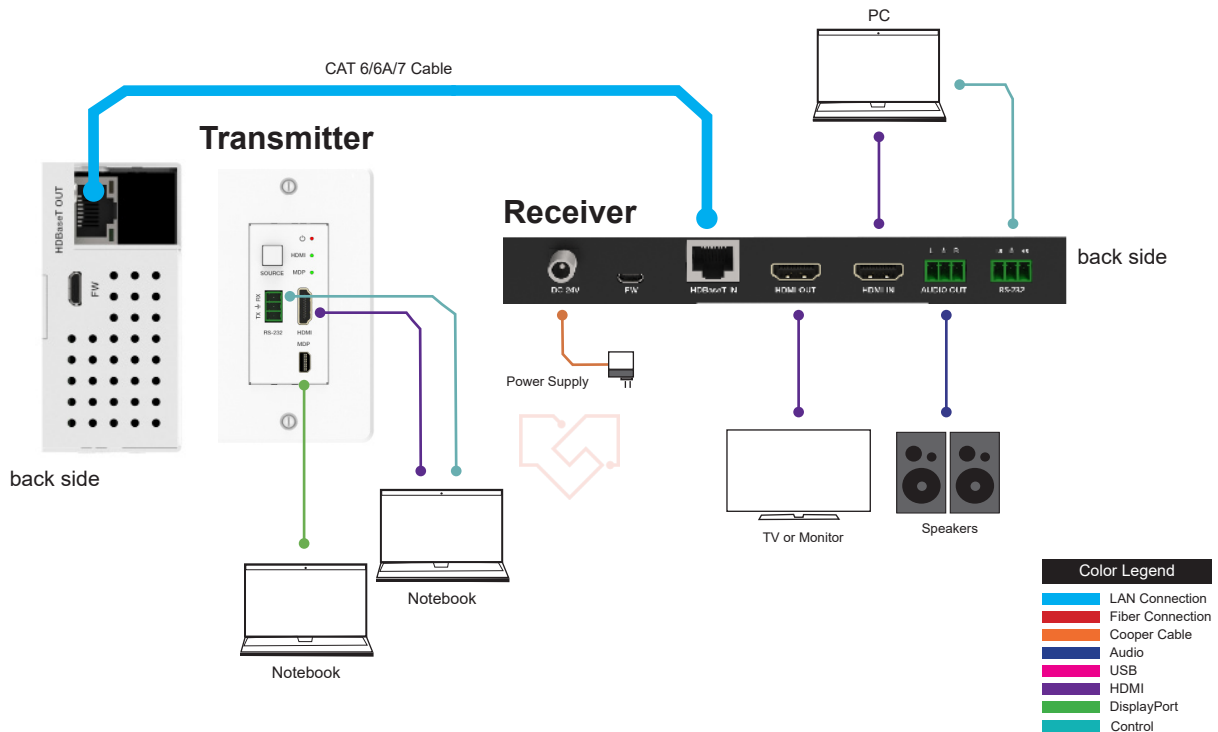
HDMI Compliance	HDMI 2.0b
HDCP Compliance	HDCP 2.2
DP Compliance	Display Port 1.2a
Video Bandwidth	DP: 5.4 Gbps
	HDMI: 18 Gbps
Video Resolution	480i~1080p50/60Hz, 4Kx2K@24/30Hz, 4k2k@60Hz
Color Space	RGB, YCbCr 4:4:4 / 4:2:2, YUV 4:2:0
Color Depth	8/10/12-bit (1080P@60Hz) 8-bit (4K@60Hz)
HDR	Support
HDMI Audio Formats	LPCM, Dolby Digital/Plus/EX, Dolby True HD, DTS, DTS-EX, DTS-96/24, DTS High Res, DTS-HD Master Audio, DSD
Transmission Distance	Max distance (1080P) : 230ft / 70m over CAT6/6a/7 Max distance (4K): 131ft / 40m over CAT6/6a/7
ESD Protection	Human body model — ±8kV (Air-gap discharge) & ±4kV (Contact discharge)

CONNECTIONS

Transmitter	Inputs: 1 x HDMI Type A [19-pin female] 1 x miniDP [20-pin female] Output: 1 x HDBaseT Out [RJ45, 8-pin female] Controls: 1x RS-232 [3-pin phoenix connector] 1x FW [Micro USB, Update port]
Receiver	Inputs: 1x HDMI IN [Type A, 19-pin female] 1x HDBaseT IN [RJ45, 8-pin female] Outputs: 1x HDMI OUT [Type A, 19-pin female] 1x AUDIO OUT [Phoenix jack] Controls: 1x RS-232 [3-pin phoenix connector] 1x FW [Micro USB, Update port]

MECHANICAL

Housing	Metal Enclosure
Color	White / Black
Dimensions	Wall plate: 33.3mm [W] x 65.7mm [D] x 68.7mm [H]
	Faceplate: 69.9mm [W] x 3mm [D] x 114.3mm [H]
	Receiver: 200mm [W] x 102.8mm [D] x 22mm [H]
Weight	Wall plate: 189g, Receiver: 517g
Power Supply	POE (only from Receiver to Transmitter)
Power Consumption	Wall plate: 8W (Max), Receiver: 6W (Max)
Operating Temperature	32 - 104°F / 0 - 40°C
Storage Temperature	-4 - 140°F / -20 - 60°C
Relative Humidity	20 - 90% RH (Non-Condensation)

APPLICATION EXAMPLE

Applications

Digital Signage, Conference Rooms, Operating Rooms and Audio-Video Rooms