

Front side



Back side

Control wall panel for VLWP-3HVG-TR

The control panel supports volume control, video switching and system control. At the same time, it supports 2 HDMI and one VGA input selection. The RS-232 port on the transmitter connects and provides power supply to the RS-232 port on the control panel via CAT5e/6/7 cable.

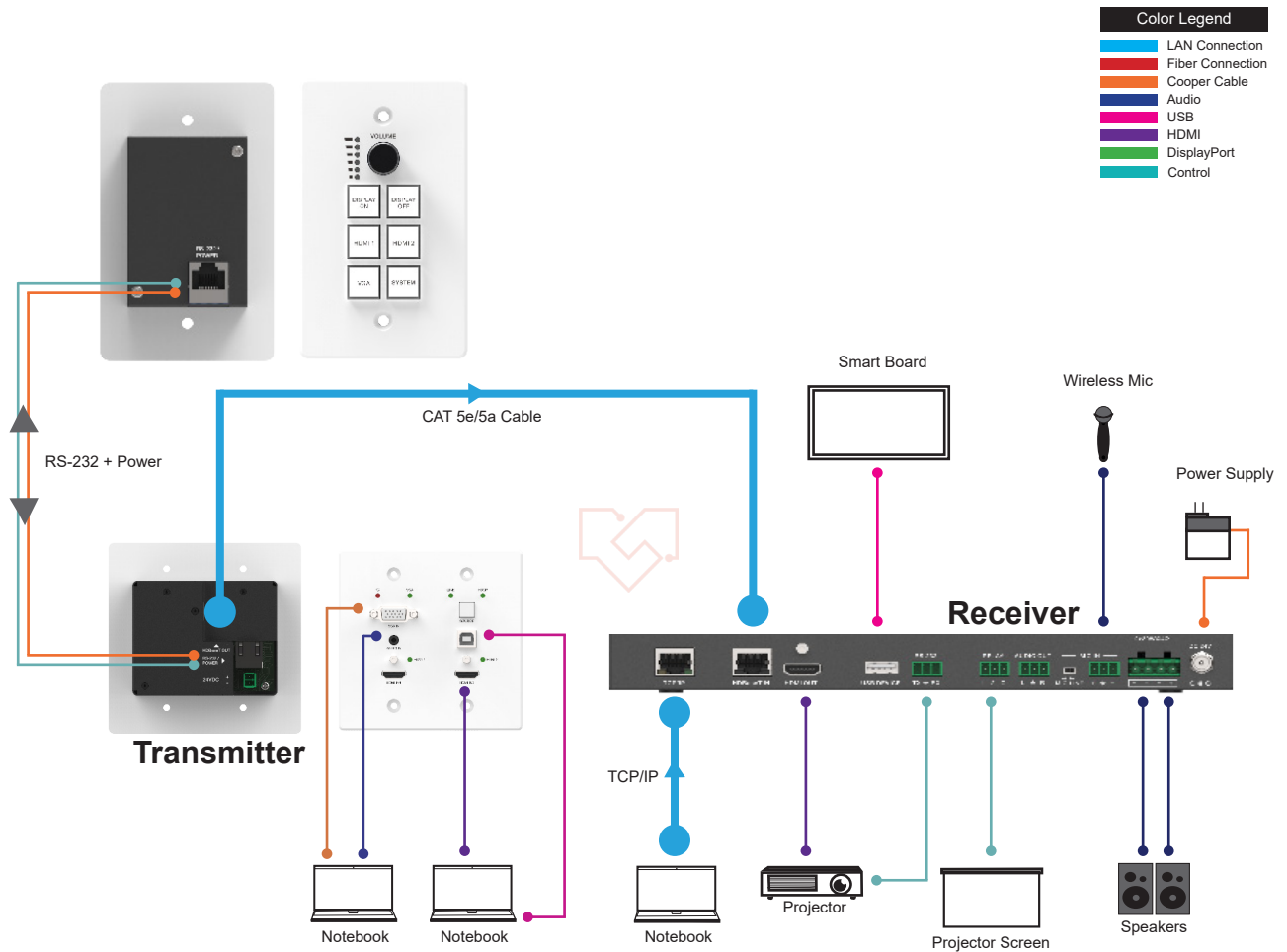
Featured Highlights

- Supports volume control, video switching and system control
- RS-232 port connects between control panel and transmitter via CAT5e/6/7 cable
- Supports transmitter power supply to control panel

MECHANICAL

Housing	Metal Enclosure
Color	White — Front Panel, Black — Rear Panel
Dimensions	114.3mm [W] x 69.9mm [D] x 22.2mm [H]
Weight	180g
Operating Temperature	32 - 104°F / 0 - 40°C
Storage Temperature	-4 - 140°F / -20 - 60°C
Relative Humidity	20 - 90% RH (Non-Condensation)

APPLICATION EXAMPLE



Applications

Digital Signage, Conference Rooms, Operating Rooms and Audio-Video Rooms