

## 1x8 HDMI 2.0 Splitter over HDBaseT 150m 18Gbps

This 18Gbps HDMI 1x8 HDBaseT Splitter can distribute 1 source signal to any 8 display devices. Support video resolution up to 4K2K@60Hz 4:4:4. It is designed with 1 HDMI loop output and 8 HDBaseT outputs. The HDMI signal transmission distance can be extended up to 120 meters at the resolution of 4K2K@60Hz, or 150 meters at 1080P@60Hz via a single CAT6/ 6a/7 cable. The product supports IR and RS-232 signal pass-through, audio extract functions, and advanced EDID management.

### Featured Highlights

- HDMI 2.0b, HDCP 2.2, and HDCP 1. x compliant
- Supports 18Gbps video bandwidth
- Supports video resolution up to 4K2K@60Hz 4:4:4
- Supports HDR, HDR10+, HLG, and Dolby vision
- Supports up to 7.1CH HD audio pass-through
- Supports digital and analog audio de-embedded output
- Extends the signal transmission distance up to 120 meters at the resolution of 4K2K@60Hz, 150 meters at 1080P@60Hz via a single CAT6/6a/7 cable
- Supports 1 HDMI input, 1 HDMI loop output, and 8 HDBaseT outputs.
- IR, RS-232 routed to HDBaseT output
- Advanced EDID management
- Supports one-way POC function (only from transmitter to receiver)
- Compact design for easy and flexible installation

## TECHNICAL

<b>HDMI Compliance</b>	HDMI 2.0b
<b>HDCP Compliance</b>	HDCP 2.2/1.x
<b>Video Bandwidth</b>	594MHz/18Gbps
<b>Video Resolution</b>	Up to 4k2k@60Hz 4:4:4
<b>Color Depth</b>	8-bit, 10-bit, 12-bit (1080p@60Hz) 8-bit (4K2K@60Hz YUV4:4:4) 8-bit, 10-bit, 12-bit (4K2K@60Hz YCbCr 4:2:2/4:2:0)
<b>Color Space</b>	RGB 4:4:4, YCbCr 4:4:4 / 4:2:2 / 4:2:0
<b>HDR</b>	Support HDR, HDR10+, HLG, Dolby vision
<b>HDMI Audio Formats</b>	LPCM 2.0/2.1/5.1/6.1/7.1, Dolby Digital, Dolby TrueHD, Dolby Digital Plus(DD+), DTS-ES, DTS HD Master, DTS HD-HRA, DTS-X
<b>Coaxial Audio Formats</b>	PCM2.0, Dolby Digital / Plus, DTS 2.0/5.1
<b>Analog Audio Formats</b>	PCM 2.0CH
<b>ESD Protection</b>	Human body model—±8kV (Air-gap discharge) & ±4kV (Contact discharge)

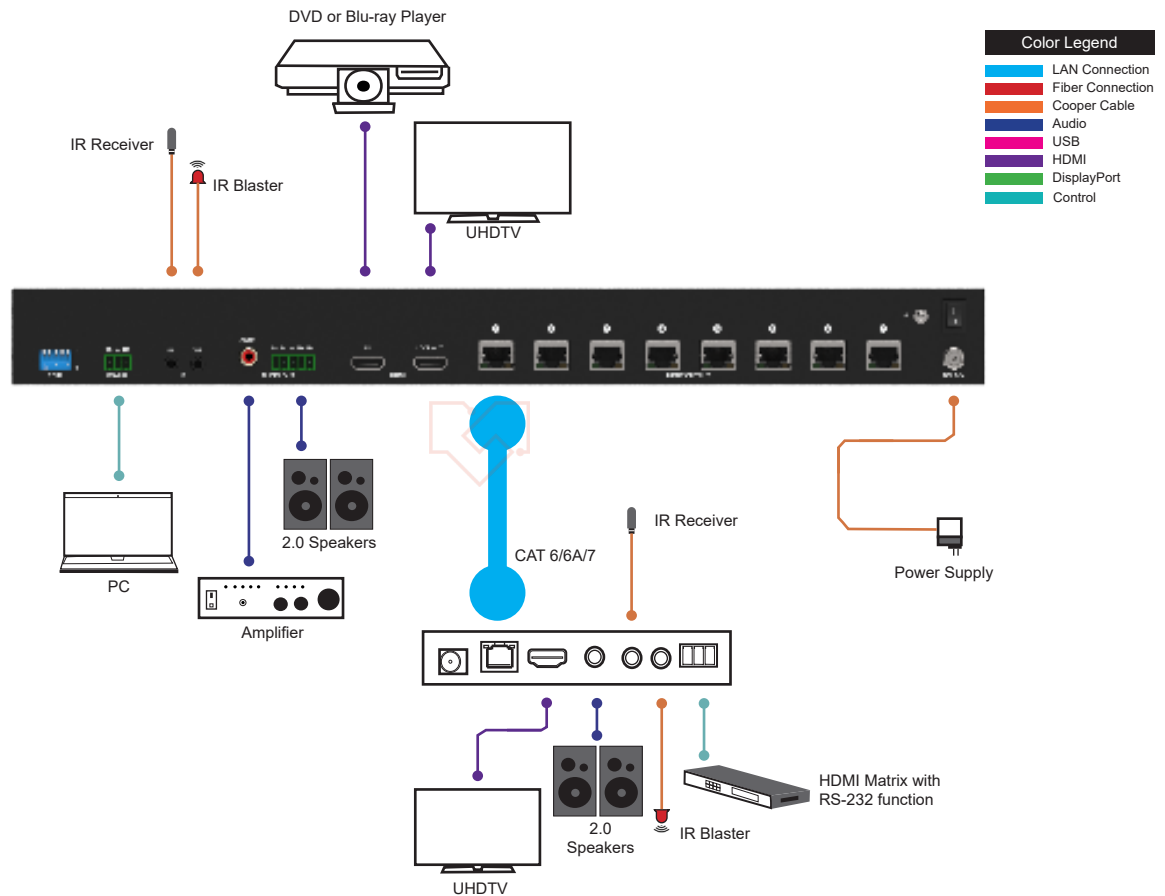
## MECHANICAL

<b>Housing</b>	Metal Enclosure
<b>Silkscreen Color</b>	Black
<b>Dimensions</b>	Transmitter: 440mm (W) × 130mm (D) × 44mm (H) Receiver: 140mm (W) × 65mm (D) × 18mm (H)
<b>Weight</b>	Transmitter: 1.62kg Receiver: 246g
<b>Power Supply</b>	Input: AC100 - 240V 50/60Hz, Output: DC 24V/3.75A (US/EU standards, CE/FCC/UL certified)
<b>Power Consumption</b>	72W
<b>Operation Temperature</b>	0°C ~ 40°C / 32°F ~ 104°F
<b>Storage Temperature</b>	-20°C ~ 60°C / -4°F ~ 140°F
<b>Relative Humidity</b>	20~90% RH (Non-Condensation)

## CONNECTIONS

<b>Input</b>	1×HDMI Type A (19-pin female)
<b>Output</b>	1×HDMI Type A (19-pin female) 8x HDBaseT OUT [RJ45] 1x Coaxial Audio OUT [RCA] 1x L/R Audio OUT [5-pin phoenix connector]
<b>Control</b>	1×RS-232 (3-pin phoenix connector) 1x EDID DIP switch [5-pin] 1x IR IN [3.5mm Stereo Mini-jack] 1x IR OUT [3.5mm Stereo Mini-jack]

## APPLICATION EXAMPLE



Applications

Digital Signage, Conference Rooms, Operating Rooms and Audio-Video Rooms