



## 1x8 HDMI 2.0 Splitter over HDBaseT 150m 18Gbps

The 18Gbps HDMI 1x8 Splitter can distribute 1 HDMI source signal to any 8 display devices. Support video resolution up to 4K2K@50/60Hz 4:4:4. It is designed with 1 HDMI loop output and 8 CAT outputs. It can extend the signal transmission distance up to 35 meters at the resolution of 4K2K@ 60Hz, or 50 meters at 4K2K@30Hz, or 60 meters at 1080P@60Hz via a single CAT6/6a/7 cable. The product supports one-way IR control signal pass-through, audio extract function and advanced EDID management.

### Featured Highlights

- HDMI 2.0, HDCP 2.2 / 1.x, and DVI 1.0 compliant
- Supports 18Gbps video bandwidth
- Supports video resolution up to 4K2K@50/60Hz 4:4:4
- Supports 3D, HDR, HDR10+, HLG, and Dolby vision
- Supports up to 7.1CH HD audio pass-through
- Supports digital and analog audio de-embedded output
- Extends the signal transmission distance up to 35 meters at the resolution of 4K2K@60Hz, 50 meters at 4K2K@30Hz, 60 meters at 1080P@60Hz via a single CAT6/6a/7 cable
- Supports 1 HDMI input, 1 HDMI loop output, and 8 CAT outputs.
- Supports one-way IR control signal pass-through
- Advanced EDID management
- Supports one-way POC function (only from transmitter to receiver)
- Compact design for easy and flexible installation

**TECHNICAL**

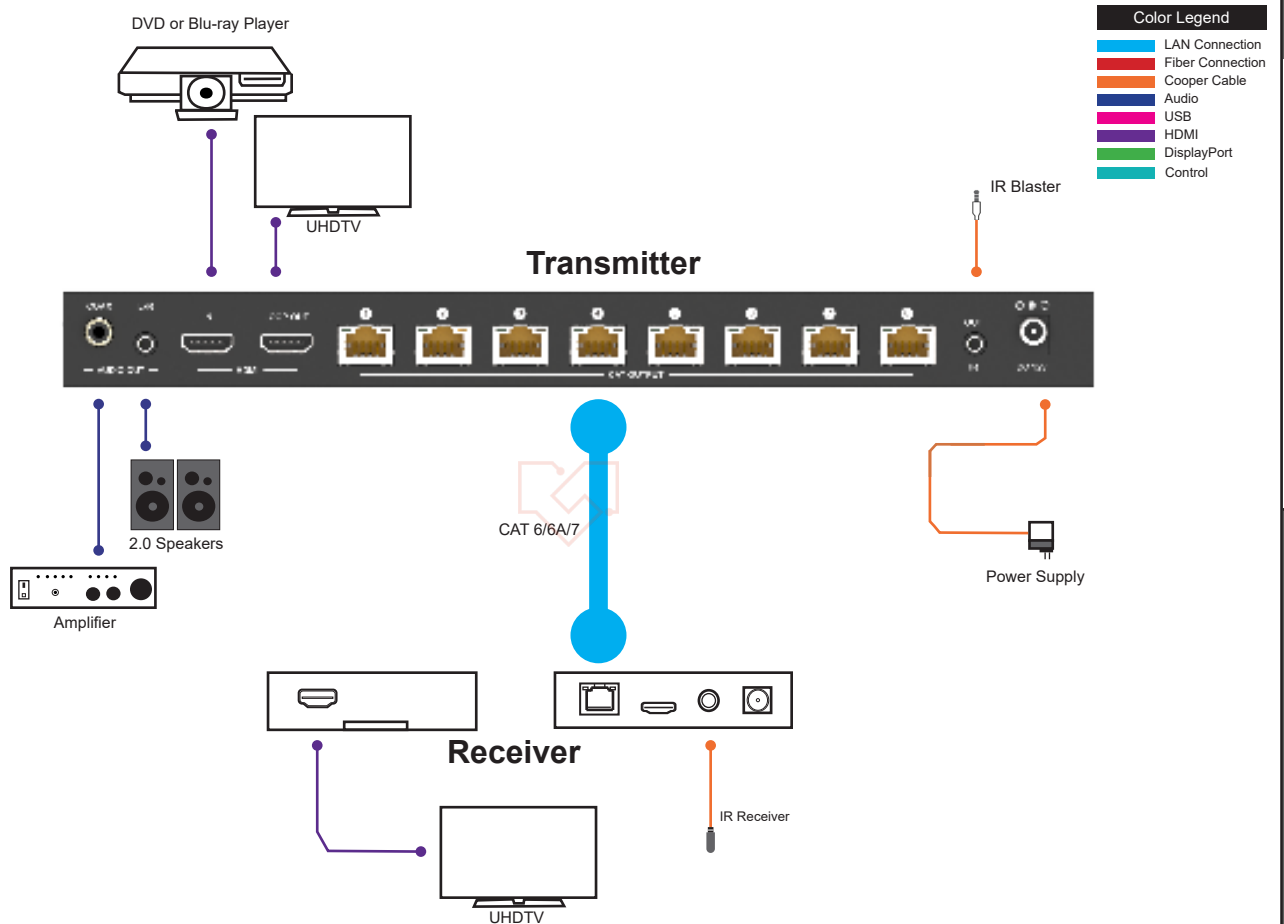
<b>HDMI Compliance</b>	HDMI 2.0
<b>HDCP Compliance</b>	HDCP 2.2/1.x
<b>Video Bandwidth</b>	594MHz/18Gbps
<b>Video Resolution</b>	Up to 4k2k@50/60Hz 4:4:4
<b>Color Depth</b>	8-bit,10-bit,12-bit(1080p@60Hz) 8-bit (4K2K@60Hz YUV4:4:4) 8-bit,10-bit,12-bit (4K2K@60Hz YCbCr 4:2:2/4:2:0)
<b>Color Space</b>	RGB, YCbCr 4:4:4 / 4:2:2. YUV 4:2:0
<b>HDR</b>	Support HDR10, HDR10+, HLG, Dolby vision
<b>HDMI Audio Formats</b>	LPCM, Dolby Digital/Plus/EX, Dolby True HD, DTS, DTS-EX, DTS-96/24, DTS High Res, DTS-HD Master Audio, DSD
<b>Coaxial Audio Formats</b>	LPCM2.0, LPCM5.1, Dolby Digital2/5.1CH
<b>Analog Audio Formats</b>	PCM 2.0
<b>ESD Protection</b>	Human body model—±8kV (Air-gap discharge) & ±4kV (Contact discharge)

**MECHANICAL**

<b>Housing</b>	Metal Enclosure
<b>Silkscreen Color</b>	Black
<b>Dimensions</b>	Transmitter: 300mm (W) × 100mm (D) × 28mm (H) Receiver: 88mm (W) × 61mm (D) × 18mm (H)
<b>Weight</b>	Transmitter: 823g Receiver:155g
<b>Power Supply</b>	Input: AC100 - 240V 50/60Hz, Output: DC 12V/2.5A (US/EU standards, CE/FCC/UL certified)
<b>Power Consumption</b>	25.44W
<b>Operation Temperature</b>	0°C ~ 40°C / 32°F ~ 104°F
<b>Storage Temperature</b>	-20°C ~ 60°C / -4°F ~ 140°F
<b>Relative Humidity</b>	20~90% RH (Non-Condensation)

**CONNECTIONS**

<b>Input</b>	1×HDMI Type A (19-pin female)
<b>Output</b>	1×HDMI Type A (19-pin female) 8x CAT OUT [RJ45, 8-pin female] 1x Coaxial Audio OUT [RCA] 1x L/R Audio OUT [3.5mm Stereo Mini jack]
<b>Control</b>	1×SERVICE (Micro USB, Update port) 1x EDID DIAL switch [5-pin] 1x IR OUT [3.5mm Stereo Mini jack]

**APPLICATION EXAMPLE**

**Applications**

Digital Signage, Conference Rooms, Operating Rooms and Audio-Video Rooms