



## 18Gbps 1x2 HDMI over HDBaseT Extender 150 meters

This 18Gbps HDMI 1x2 HDBaseT Splitter can distribute 1 source signal to any 2 display devices, with video resolution up to 4K2K@60Hz 4:4:4. It is designed with 1 HDMI loop output and 2 HDBaseT outputs. The HDMI signal transmission distance can be extended up to 394ft/120m at the resolution of 4K2K@60Hz, or 492ft/150m at 1080P@60Hz via a single CAT6/6a/7 cable. The product supports up to 7.1CH HD audio pass-through. It also supports IR and RS-232 signal pass-through, audio de-embedding function and advanced EDID management.

### Featured Highlights

- HDMI 2.0b, HDCP 2.2 and HDCP 1.x compliant
- Support 18Gbps video bandwidth
- Support video resolution up to 4K2K@60Hz 4:4:4
- Support HDR, HDR10+, HLG and Dolby vision
- Support up to 7.1CH HD audio pass-through
- Support digital and analog audio de-embedded output
- Extend the signal transmission distance up to 394ft/120m at the resolution of 4K2K@60Hz, 492ft/150m at 1080P@60Hz via a single CAT6/6a/7 cable
- Support 1 HDMI input, 1 HDMI loop output and 2 HDBaseT outputs.
- IR, RS-232 routed to HDBaseT output
- Advanced EDID management
- Support one-way POC function (only from transmitter to receiver)
- Compact design for easy and flexible installation

**TECHNICAL**

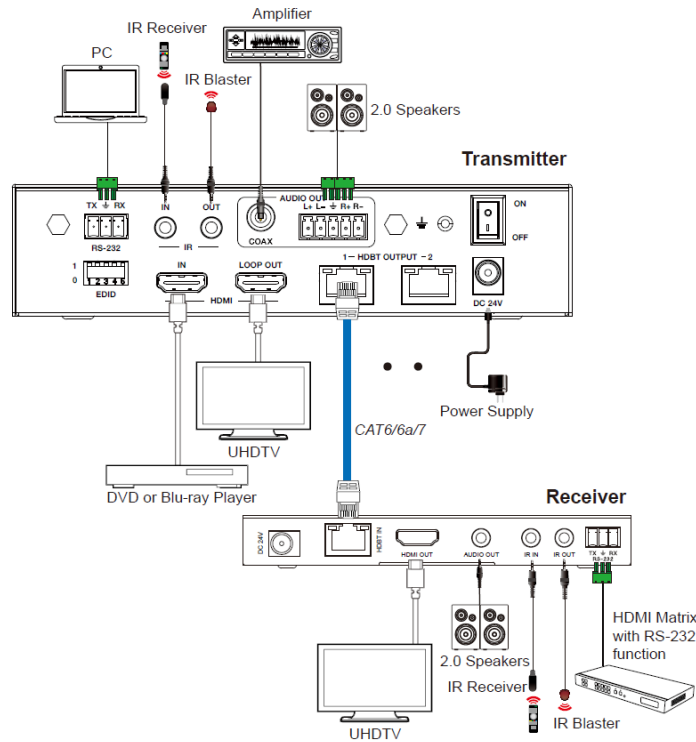
<b>HDMI Compliance</b>	HDMI 2.0b
<b>HDCP Compliance</b>	HDCP 2.2/1.x
<b>Video Bandwidth</b>	594MHz/18Gbps
<b>Video Resolution</b>	Up to 4k2k@60Hz 4:4:4
<b>Color Depth</b>	8-bit, 10-bit, 12-bit (1080p@60Hz) 8-bit (4K2K@60Hz YUV4:4:4) 8-bit, 10-bit, 12-bit (4K2K@60Hz YCbCr 4:2:2/4:2:0)
<b>Color Space</b>	RGB 4:4:4, YCbCr 4:4:4 / 4:2:2 / 4:2:0
<b>HDR</b>	Support HDR, HDR10+, HLG, Dolby vision (Note: For Dolby vision, the local HDMI loopout supports 4K60, but the remote HDMI output only supports 1080P.)
<b>HDMI Audio Formats</b>	LPCM 2.0/2.1/5.1/6.1/7.1, Dolby Digital, Dolby TrueHD, Dolby Digital Plus(DD+), DTS-ES, DTS HD Master, DTS HD-HRA, DTS-X
<b>Coaxial Audio Formats</b>	PCM2.0, Dolby Digital / Plus, DTS 2.0/5.1
<b>Analog Audio Formats</b>	PCM 2.0CH
<b>ESD Protection</b>	Human body model—±8kV (Air-gap discharge) & ±4kV (Contact discharge)

**MECHANICAL**

<b>Housing</b>	Metal Enclosure
<b>Silkscreen Color</b>	Black
<b>Dimensions</b>	Transmitter: 170mm (W) × 130mm (D) × 40mm (H) Receiver: 140mm (W) × 65mm (D) × 18mm (H)
<b>Weight</b>	Transmitter: 689g Receiver: 155g
<b>Power Supply</b>	Input: AC100 - 240V 50/60Hz, Output: DC 24V/2.7A (US/EU standards, CE/FCC/UL certified)
<b>Power Consumption</b>	18W
<b>Operation Temperature</b>	0°C ~ 40°C / 32°F ~ 104°F
<b>Storage Temperature</b>	-20°C ~ 60°C / -4°F ~ 140°F
<b>Relative Humidity</b>	20~90% RH (Non-Condensation)

**CONNECTIONS**

<b>Transmitter</b>	Input: 1 x HDMI IN [Type A, 19-pin female] Output: 1 x HDMI LOOP OUT [Type A, 19-pin] 2 x HDBT OUTPUT [RJ45] 1 x COAX AUDIO OUT [RCA] 1 x L/R AUDIO OUT [5-pin phoenix connector] Control: 1 x RS-232 [3-pin phoenix connector] 1 x EDID DIP switch [5-pin] 1 x IR IN [3.5mm stereo mini-jack] 1 x IR OUT [3.5mm stereo mini-jack]
<b>Receiver</b>	Input: 1 x HDBT IN [RJ45, 8-pin female] Output: 1 x HDMI Type A [19-pin female] 1 x AUDIO OUT [3.5mm Stereo Mini-jack] Control: 1 x IR IN [3.5mm Stereo Mini-jack] 1 x IR OUT [3.5mm Stereo Mini-jack] 1 x RS-232 [Phoenix jack] 1 x SERVICE [Mini-USB, Update port]

**APPLICATION EXAMPLE**

**Applications**

Digital Signage, Conference Rooms, Operating Rooms and Audio-Video Rooms