



18Gbps 1x2 HDMI over CAT Extender 60 meters

The 18Gbps HDMI 1×2 Splitter can distribute 1 HDMI source signal to any 2 display devices, with video resolution up to 4K2K@50/60Hz 4:4:4. It is designed with 1 HDMI loop output and 2 CAT outputs. The HDMI signal transmission distance can be extended up to 115ft/35m at the resolution of 4K2K@60Hz, or 164ft/50m meters at 4K2K@30Hz, or 197ft/60m meters at 1080P@60Hz via a single CAT6/6a/7 cable. The product supports one-way IR control signal pass-through, audio extract function and advanced EDID management.

Featured Highlights

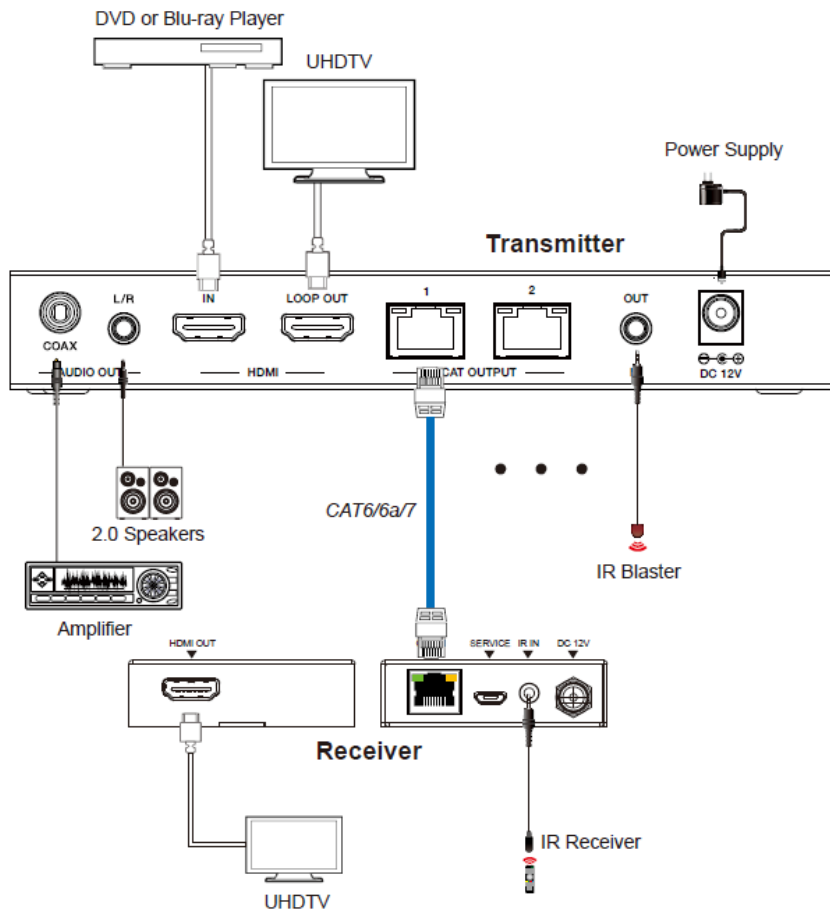
- HDMI 2.0b, HDCP 2.2 and HDCP 1.x compliant
- Support 18Gbps video bandwidth
- Support video resolution up to 4K2K@50/60Hz 4:4:4
- Support HDR, HDR10+, HLG, Dolby Vision
- Up to 7.1CH HD audio pass-through
- Support digital and analog audio de-embedded output
- Extend the signal transmission distance up to 115ft/35m at the resolution of 4K2K@60Hz, 164ft/50m at 4K2K@30Hz, 197ft/60m at 1080P@60Hz via a single CAT6/6a/7 cable
- Support 1 HDMI input, 1 HDMI loop output and 2 CAT outputs
- Support 20-60Hz IR control source equipment from RX side
- Advanced EDID management
- Support one-way PoC function (only from transmitter to receiver)

TECHNICAL	
HDMI Compliance	HDMI 2.0b
HDCP Compliance	HDCP 2.2/1.x
Video Bandwidth	594MHz/18Gbps
Video Resolution	Input: 480i ~1080P50/60Hz, 4Kx2K@24/30Hz, 4K2K@60Hz Loop Out: 480i ~1080P50/60Hz, 4Kx2K@24/30Hz, 4K2K@60Hz
Color Depth	8-bit, 10-bit, 12-bit (1080p@60Hz) 8-bit, 10-bit, 12-bit (4K2K@60Hz YCbCr 4:2:2 / 4:2:0) 8-bit (4K2K@60Hz YUV 4:4:4)
Color Space	RGB, YCbCr 4:4:4 / 4:2:2. YUV 4:2:0
HDR	Support HDR10, HDR10+, HLG, Dolby vision
HDMI Audio Formats	LPCM 2.0/2.1/5.1/6.1/7.1, Dolby Digital, Dolby TrueHD, Dolby Digital Plus (DD+), DTS-ES, DTS HD Master, DTS HD-HRA, DTS-X
Coaxial Audio Formats	LPCM 2.0, LPCM 5.1, Dolby Digital 2/5.1CH
Analog Audio Formats	PCM 2.0CH
Extended Distance	115ft/35m at 4K2K@60Hz (600M Bandwidth) 164ft/50m at 4K2K@30Hz (300M Bandwidth) 197ft/60m at 1080P@60Hz (148.5M Bandwidth)
ESD Protection	Human body model—±8kV (Air-gap discharge) & ±4kV (Contact discharge)

CONNECTIONS	
Input	1×HDMI Type A (19-pin female)
Output	1 × HDMI LOOP OUT [Type A, 19-pin female] 2 × CAT OUTPUT [RJ45, 8-pin female] 1 × COAX AUDIO OUT [RCA] 1 × L/R AUDIO OUT [3.5mm Stereo Mini-jack]
Control	1 × SERVICE [Micro USB, Update port] 1 × IR OUT [3.5mm Stereo Mini-jack]

MECHANICAL	
Housing	Metal Enclosure
Silkscreen Color	Black
Dimensions	Transmitter: 175mm (W) × 100mm (D) × 25mm (H) Receiver: 88mm (W) × 61mm (D) × 18mm (H)
Weight	Transmitter: 485g / Receiver:155g
Power Supply	Input: AC100 - 240V 50/60Hz, Output: DC 12V/1A (US/EU standards, CE/FCC/UL certified)
Power Consumption	8.28W (Max.)
Operation Temperature	0°C ~ 40°C / 32°F ~ 104°F
Storage Temperature	-20°C ~ 60°C / -4°F ~ 140°F
Relative Humidity	20~90% RH (Non-Condensation)

APPLICATION EXAMPLE



Applications

Digital Signage, Conference Rooms, Operating Rooms and Audio-Video Rooms