



Front side



Back side

4x4 HDMI 2.0 Matrix over HDBaseT 150m 18Gbps

The 18Gbps 4x4 HDBaseT Matrix can connect four (4) HDMI sources to eight (8) displays. It features four (4) HDMI outputs and each HDMI output is mirrored to provide a Cat-cable output that runs simultaneously. HDBaseT output can extend video transmissions up to 492ft/150m via a single Cat5e/6/7 cable and it supports resolutions up to 4K2k @60Hz (4:4:4). Audio can be de-embedded to analog and co-axial audio is also supported. Each HDMI output supports 4K2k to 1080p downscaler independently. It also provides an intuitive set of front panel control options with an OLED screen, front panel buttons, IR remote, RS-232, LAN, and Web GUI.

5 Units: 1x matrix and 4x receiver units

Featured Highlights

- 4x HDMI inputs, 4x HDMI & HDBaseT mirrored outputs
- HDMI 2.0b, HDCP 2.2 compliant
- Up to 4K / 2K @60Hz with 24bit RGB / YCbCr (4:4:4)
- HDR, HDR10, HDR10+, Dolby Vision pass through
- Supports LPCM 7.1CH, Dolby TrueHD, and DTS-HD Master Audio
- Each output supports 4K to 1080p downscale independently
- Each output supports digital and analog audio de-embedded
- HDBaseT output 1080p up to 492ft/150m and 4K2K up to 394ft/120m
- Advanced EDID management
- Built-in IR matrix
- 24V PoC on all HDBaseT ports
- Front panel button, IR, RS-232, TCP/IP and Web GUI control



SPECIFICAtIONS

HDMI Compliance	HDMI 2.0b
HDCP Compliance	HDCP 2.2 and HDCP 1.x
Video Bandwidth	18Gbps
Video Resolution	Up to 4K2K@50/60Hz (4:4:4)
Color Space	RGB 4:4:4, YCbCr 4:4:4/2:2/4:2:0
Color Depth	HDMI 2.0b HDCP 2.2 and HDCP 1.x 18Gbps Up to 4K2K@50/60Hz (4:4:4) RGB 4:4:4, YCbCr 4:4:4/2:2/4:2:0
HDR	HDR10, HDR10+, Dolby Vision, HLG
HDMI Audio Formats	LPCM 2.0/2.1/5.1/6.1/7.1, Dolby Digital, Dolby TrueHD, Dolby Digital Plus(DD+), DTS-ES, DTS HD Master, DTS HD-HRA, DTS-X
Coax Audio Formats	PCM 2.0, Dolby Digital / Plus, DTS 2.0/5.1
Analog Balanced Audio Formats	PCM2.0CH
Vmax	2Vrms
SNR	>90dB
THD+N Ratio	<0.1% (V_max) 0.001%~0.01%(V_best)
Crosstalk	<80dB
Frequency Response	20Hz~20kHz ±0.5dB
ESD Protection	Human-body Model: ±8kV (Air-gap discharge) , ±4kV (Contact discharge)

Resolution / Cable Length	4K60 - Feet / Meters	4K30 - Feet / Meters	1080P60 - Feet / Meters
HDMI IN / OUT	16ft / 5M	32ft / 10M	50ft / 15M

The use of "Premium High Speed HDMI" cable is highly recommended.

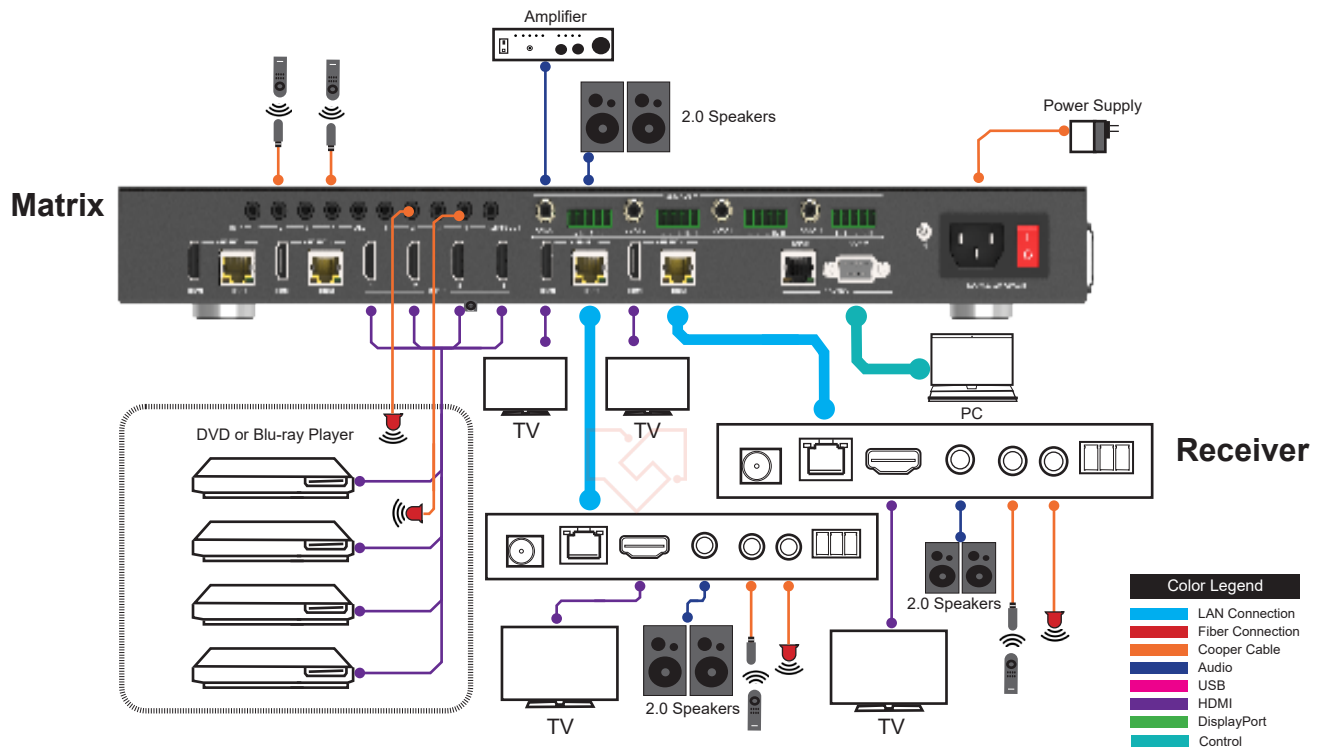
Connection

Matrix	Inputs: 4 x HDMI Type A [19-pin female] Outputs: 4 x HDMI Type A [19-pin female] 4 x HDBaseT port [RJ45] 4 x Coaxial audio [3.5mm Stereo Mini-jack] 4 x balanced analog audio [5-pin Phoenix connector] Controls: 5 x IR IN [3.5mm Stereo Mini-jack] 5 x IR OUT [3.5mm Stereo Mini-jack] 1 x TCP/IP [RJ45] 1 x RS-232 [D-Sub 9]
HDBaseT Receiver	Input: 1 x HDBT IN [RJ45, 8-pin female] Outputs: 1 x HDMI Type A [19-pin female] 1 x AUDIO OUT [3.5mm Stereo Mini-jack] Controls: 1 x IR IN [3.5mm Stereo Mini-jack] 1 x IR OUT [3.5mm Stereo Mini-jack] 1 x RS-232 [3-pin Phoenix connector] 1 x SERVICE [Mini-USB, Update port]

MECHANICAL

Housing	Metal Enclosure
Color	Black
Dimensions	Matrix: 440mm (W) x 200mm (D) x 44.5mm (H) Receiver: 140mm (W) x 65mm (W) x 18mm (W)
Weight	Matrix: 3.1Kg, Receiver: 155g
Power Supply	AC 100 - 240V 50/60Hz
Power Consumption	60W (Max)
Operating Temperature	0°C ~ 40°C / 32°F ~ 104°F
Storage Temperature	-20°C ~ 60°C / -4°F ~ 140°F
Relative Humidity	20~90% RH (Non-Condensation)
Resolution / Distance	4K60 - Feet / Meters
Cat5e/6/7	492ft / 150M

APPLICATION EXAMPLE



AppliCations

Digital Signage, Conference Rooms, Operating Rooms and Audio-Video Rooms