



4x1 HDMI 2.0 4K60 Multiviwer with Seamless Switching

This product is based on JPEG2000 technology. Encoder input supports up to 4K60, audio embedding or audio out. Decoder output supports up to 4K30, audio extracting or audio in transmitted to Encoder audio out (only for point-to-point direct connection). The product supports USB2.0/KVM, 1G Ethernet, bidirectional RS-232, two-way IR control and POE function. Guest mode control of RS-232, IR, CEC supported. Built-in secondary H.265 stream which supports plenty API commands to achieve flexible configurations is useful for 3rd party control Apps to preview video content. As the H.265 stream can be accessed in a different domain from JPEG2000 mainstream via tagged its LAN ID, this makes it possible to isolate the network systems of main stream which works in Video LAN and secondary stream which works in Control LAN.

The system is based on Linux for software development, provides flexible control methods, that are based on the intelligent networking of 1G Ethernet Switch.

Featured Highlights

- HDMI 2.0b, HDCP 2.2 compliant
- Supports 18Gbps video bandwidth
- Input supports up to 4K60 4:4:4, output supports 4K30 4:4:4
- Transmit video, audio, IR, RS-232, CEC, and USB signals over Ethernet
- Supports unicast and multicast functions
- Supports point-to-point, video matrix, and video wall functions (video wall supports up to 9x9)
- Intelligent video wall class management
- JPEG2000 Mainstream and standard H.265 codec Secondary Stream (SS)
- Supports Secondary Stream VLAN ID and parameters configuration
- Supports 1G Ethernet Switch, router, and hub device transmission
- Supports POE function
- Flexible control through Web GUI/TCP/RS-232/IR and third-party controller
- HDMI audio formats: LPCM 2.0/5.1/7.1CH, Dolby Digital/Plus/EX, Dolby
- True HD, Dolby Atmos, DTS, DTS-96/24, DTS-EX DSD, DTS High Res, DTS-HD Master, DTS:X
- Smart networking design for easy and flexible installation.



SPECIFICATIONS

HDMI Compliance	HDMI 2.0b
HDCP Compliance	HDCP 2.2
Video Bandwidth	18Gbps
Video Compression Standard	JPEG2000
Video Network Bandwidth	1G
Video Resolution	480i ~1080p@50/60Hz, 4K@24/30Hz, support 4K@50/60Hz input
Color Depth	8/10/12-bit
Color Space	RGB, YCbCr 4:4:4 / 4:2:2, YUV 4:2:0
HDMI Audio Formats	LPCM 2.0/5.1/7.1CH, Dolby Digital/Plus/EX, Dolby True HD, Dolby Atmos, DTS, DTS-96/24, DTS-EX DSD, DTS High Res, DTS-HD Master, DTS:X
Transmission Distance	100M CAT5E/6/6A/7
IR Level	12Vp-p
IR Frequency	Wideband 20K - 60KHZ
ESD Protection	Human body model — ±8kV (Air-gap discharge) & ±4kV (Contact discharge)

Resolution / Cable Length	4K60 - Feet / Meters	4K30 - Feet / Meters	1080P60 - Feet / Meters
HDMI IN / OUT	16ft / 5M	32ft / 10M	50ft / 15M

The use of "Premium High-Speed HDMI" cable is highly recommended.

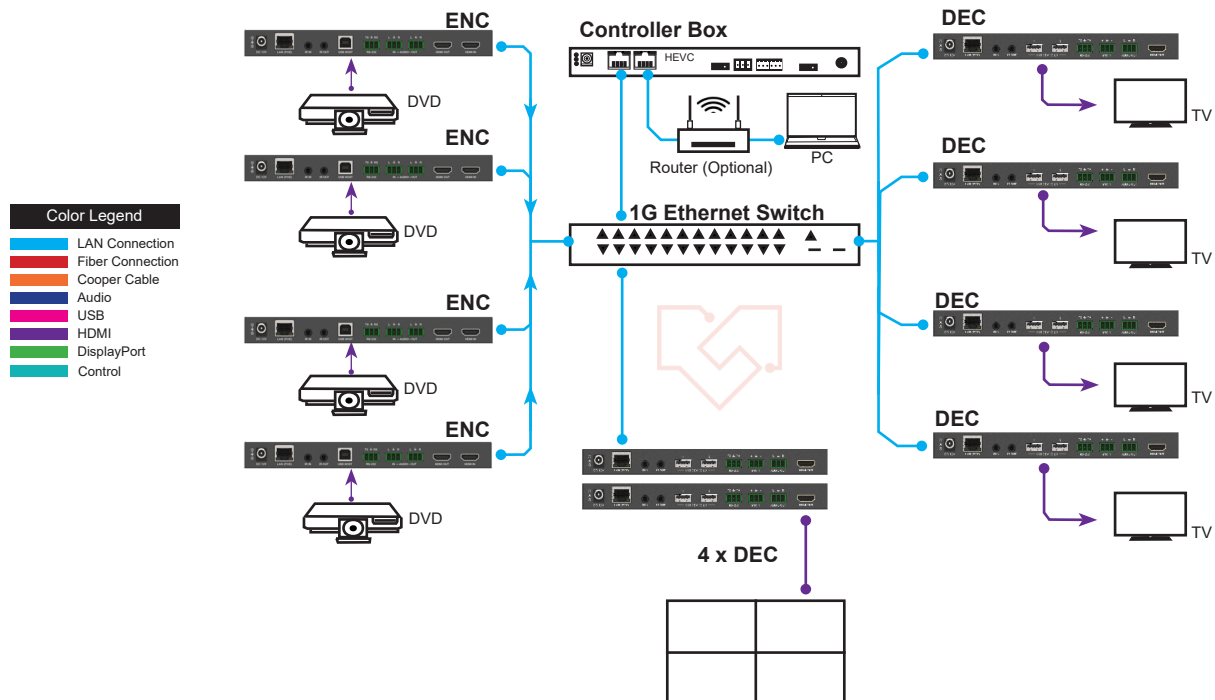
MECHANICAL

Housing	Metal Enclosure
Color	Black
Dimensions	204mm [W] x 100mm [D] x 21.5mm [H]
Weight	TX:509g, RX:496g
Power Supply	Input: AC 100 - 240V 50/60Hz Output: DC 12V/1A (US/EU standards, CE/FCC/UL certified)
Power Consumption	Encoder: < 8W, Decoder: < 4W
Operating Temperature	32 - 104°F / 0 - 40°C
Storage Temperature	-4 - 140°F / -20 - 60°C
Relative Humidity	20 - 90% RH (Non-Condensation)

CONNECTIONS

Encoder	Input: 1 x HDMI IN [Type A, 19-pin male] 1 x L/R AUDIO IN [3.81mm Phoenix connector] 1 x IR IN [3.5mm Audio Jack] Output: 1 x HDMI OUT [Type A, 19-pin male] 1 x IR OUT [3.5mm Audio Jack] 1 x L/R AUDIO OUT [3.81mm Phoenix connector] Control: 1 x RS-232 [3.81mm Phoenix connector] 1 x LAN [RJ45 jack] 1 x USB [USB TypeB]
Decoder	Input: 1 x IR IN [3.5mm Audio Jack] 1 x MIC IN [3.81mm Phoenix connector] Output: 1 x HDMI OUT [Type A, 19-pin male] 1 x IR OUT [3.5mm Audio Jack] 1 x L/R AUDIO OUT [3.81mm Phoenix connector] Control: 1 x LAN [RJ45 jack] 2 x USB1.1 [USB-A male] 2 x USB2.0 [USB-A male] 1 x RS-232 [3.81mm Phoenix connector]

Classic Application Example



Applications

Digital Signage, Conference Rooms, Operating Rooms and Audio-Video Rooms