

SDVoE Wall Plate AV Signal Transmitter with HDMI and USB-C - US

The VLIP-SDUWPUS-TX SDVoE Wall Plate TX supports HDMI 2.0 and USB-C inputs, providing flexible connectivity options for various applications. With LED indicators for power, link status, and video source selection, it ensures easy monitoring and control. Equipped with Ethernet ports for configuration and control, along with support for video resolutions up to 4K@60Hz, this transmitter offers high-performance transmission with zero latency. Perfect for installations requiring a discreet and versatile solution, it's an ideal choice for conference rooms, digital signage, medical spaces and more.

Featured Highlights

- Support the output timing of up to 4096x2160@60Hz, 3840x2160@60Hz (4:4:4) and 3840x2160@60Hz (4:2:0 10-bit HDR)
- The output bit rate is 3.2 Gbps for 1080p@60Hz, 6 Gbps for 3840x2160@30Hz or 12 Gbps for 3840x2160@60hz
- Between the device and the Ethernet switch or another device, the maximum transport distance is 100m.
- Zero end to end frame latency
- USB-C charging power up to 60W

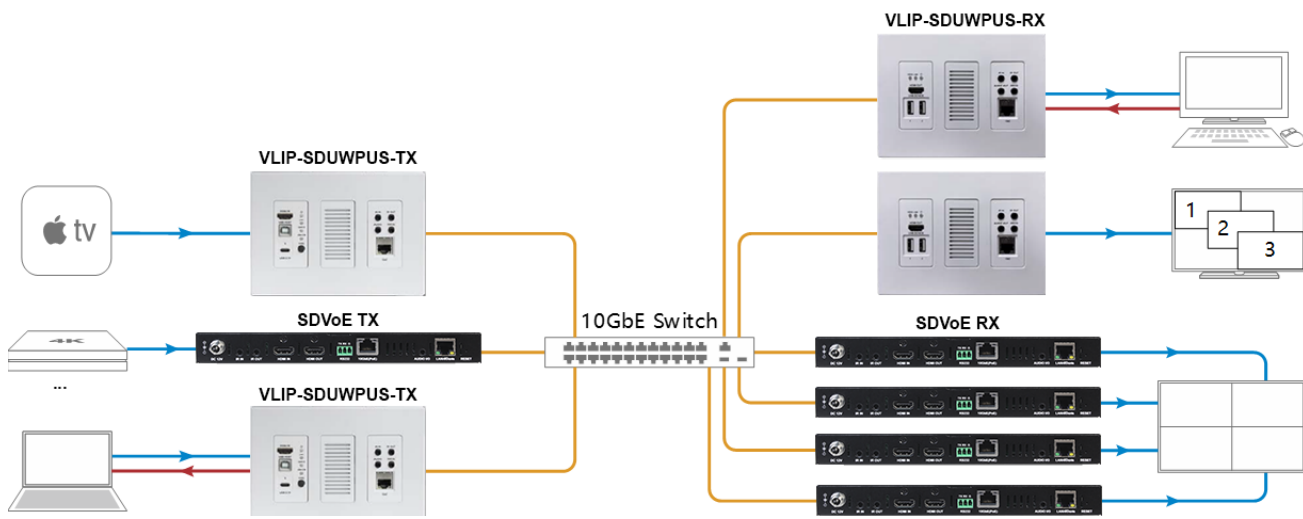
| VIDEO/AUDIO | |
|-------------------|--|
| Input Connectors | 1 x HDMI 2.0 1 x USB-C 1 x Unbalanced stereo audio |
| Supported Input | [Video] 640x480 ^s , 800x600 ^s , 1024x768 ^s , 1280x1024 ^s , 1360x768 ^s , 1440x900 ^s , 1440x1050 ^s , 1600x1200 ^s , 720x480 ⁱ (480i59), 720x480 ⁱ (480p59), 720x576 ⁱ (576i50), 720x576 ⁱ (576p50), 1280x720 ⁱ (720p50), 1280x720 ⁱ (720p59), 1280x720 ⁱ (720p60), 1920x1080 ⁱ (1080i50), 1920x1080 ⁱ (1080i59), 1920x1080 ⁱ (1080i60), 1920x1080 ⁱ (1080p23), 1920x1080 ⁱ (1080p24), 1920x1080 ⁱ (1080p25), 1920x1080 ⁱ (1080p29), 1920x1080 ⁱ (1080p30), 1920x1080 ⁱ (1080p50), 1920x1080 ⁱ (1080p59), 1920x1080 ⁱ (1080p60), 3840x2160 ⁱ (2160p23), 3840x2160 ⁱ (2160p24), 3840x2160 ⁱ (2160p25), 3840x2160 ⁱ (2160p29), 3840x2160 ⁱ (2160p30), 3840x2160 ⁱ (2160p60), 4096x2160 ^s , 4096x2160 ^s 1 = at 23.98 Hz, 2 = at 24 Hz, 3 = at 25 Hz, 4 = at 29.97 Hz, 5 = at 30 Hz, 6 = at 50 Hz, 7 = at 59.94 Hz, 8 = 60 Hz, 9 = 75 Hz; [HDMI Audio] LPCM, 2.0/5.1/7.1 channel, 44.1/48/96/192 kHz Dolby True HD, up to 7.1,192kHz DTS-HD Master, up to 7.1,192kHz Dolby Digital AC-3 (DVD format) DTS version 1 (DVD format) [Analog Audio] Unbalanced stereo audio |
| Output Connectors | 1 x 10GBase-T 1 x Unbalanced stereo audio |

| CONTROL | |
|----------|---|
| Ethernet | GbE / 10GbE port, for configuring, control and upgrading |
| Button | A hidden button to reset to the factory default A button on the top panel to switch the input video source |

| VIDEO/AUDIO | |
|------------------|--|
| Supported Output | [Video] 640x480 ^s , 800x600 ^s , 1024x768 ^s , 1280x1024 ^s , 1360x768 ^s , 1440x900 ^s , 1440x1050 ^s , 1600x1200 ^s , 720x480 ⁱ (480i59), 720x480 ⁱ (480p59), 720x576 ⁱ (576i50), 720x576 ⁱ (576p50), 1280x720 ⁱ (720p50), 1280x720 ⁱ (720p59), 1280x720 ⁱ (720p60), 1920x1080 ⁱ (1080i50), 1920x1080 ⁱ (1080i59), 1920x1080 ⁱ (1080i60), 1920x1080 ⁱ (1080p23), 1920x1080 ⁱ (1080p24), 1920x1080 ⁱ (1080p25), 1920x1080 ⁱ (1080p29), 1920x1080 ⁱ (1080p30), 1920x1080 ⁱ (1080p50), 1920x1080 ⁱ (1080p59), 1920x1080 ⁱ (1080p60), 3840x2160 ⁱ (2160p23), 3840x2160 ⁱ (2160p24), 3840x2160 ⁱ (2160p25), 3840x2160 ⁱ (2160p29), 3840x2160 ⁱ (2160p30), 3840x2160 ⁱ (2160p60), 4096x2160 ^s , 4096x2160 ^s 1 = at 23.98 Hz, 2 = at 24 Hz, 3 = at 25 Hz, 4 = at 29.97 Hz, 5 = at 30 Hz, 6 = at 50 Hz, 7 = at 59.94 Hz, 8 = 60 Hz, 9 = 75 Hz; [HDMI Audio] LPCM, 2.0/5.1/7.1 channel, 44.1/48/96/192 kHz Dolby True HD, up to 7.1,192kHz DTS-HD Master, up to 7.1,192kHz Dolby Digital AC-3 (DVD format) DTS version 1 (DVD format) [Analog Audio] Unbalanced stereo audio |

| MECHANICAL | |
|-----------------------|---|
| Operating Temperature | 0 to +40°C (32 to +104 °F), 10% to 90%, non-condensing |
| Storage Temperature | -20 to +70°C (-4 to +158 °F), 10% to 90%, non-condensing |
| Humidity | 10% to 90%, non-condensing |
| Product Weight | To be measured |
| Power Supply | 24V DC PoE+ |
| Transport Distance | 100m |
| Product Dimension | 3-Gang (US, EU) Depth 38.9mm |
| ESD Protection | Human-body Model: ±8kV(Air-gap discharge)/±4kV(Contact discharge) |

Classic Application Example



Applications Medical equipment, AV broadcasting: such as conference rooms, retails, and Digital signage with interaction: such as shopping malls, hotels