



## AVoIP controller for SDVOE

This Video over IP Controller is used to control and manage IP products. It supports dual 1G network ports, which offer dual-network isolation of a control network and a multi-cast video distribution network. It supports Web GUI/TCP/RS-232/IR/GPIO controls and PoE function, as well as IR control signal pass through. This IP Controller has the flexibility to be widely applied to the growing need for IP products in today's digital world, commonly used in more and more different scenarios.

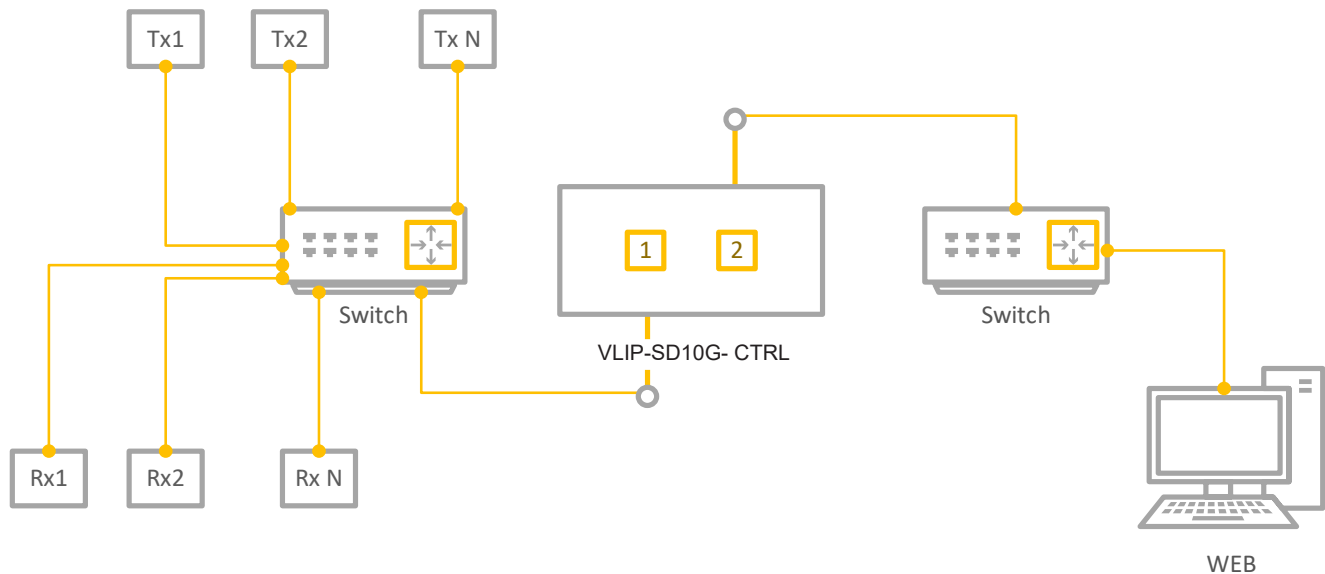
### Featured Highlights

- Easy to create projects, control, and manage the system
- HTTPS, SSH, SFTP security compatible
- Built-in Web GUI control interface, supporting Drag & Drop operations
- Supports image preview
- Supports video, audio, RS-232, IR, KVM control, and management of the distributed system
- Dual network ports (VIDEO LAN port supports POE function) to isolate Controls and Multicast networks.
- Supports LAN/RS-232 port control and third-party central control
- Supports IR signal receiving (3.5mm audio jack, 12V level)
- 4 channel GPIO control ports (5V/12V optional level)
- Multiple circuits protection, lightning protection, and ESD design
- Reliable system design, ensuring 7\*24 hours reliable and stable work

## SPECIFICATIONS

<b>Ports</b>	1 x USB 2.0 1A 1 x USB 2.0 0.5A 1 x GE port with POE 1 x GE port 1 x 6-pin phoenix connector 1 x DC 12V/2A
<b>Control</b>	Web UI
<b>Dimensions</b>	215mm(W)×120mm(D)×25mm(H)
<b>Housing</b>	Sheet steel
<b>Color</b>	Black
<b>Weight</b>	To be measured
<b>Power Supply</b>	12V/2A
<b>Operating Temperature</b>	0°C ~ 40°C / 32°F ~ 104°F
<b>Storage Temperature</b>	-20°C ~ 60°C / -4°F ~ 140°F
<b>Relative Humidity</b>	20~90% RH (non-condensing)

## Classic Application Example



### Applications

Medical equipment, AV broadcasting: such as conference rooms, retails, and Digital signage with interaction: such as shopping malls, hotels