



AVoIP Controller for SDVoE

This Video over IP Controller is used to control and manage IP products. It supports dual 1G network ports, which offer dual-network isolation of a control network and a multi-cast video distribution network. It supports Web GUI/TCP/RS-232/IR/GPIO controls and PoE function, as well as IR control signal pass through. This IP Controller has the flexibility to be widely applied to the growing need for IP products in today's digital world, commonly used in more and more different scenarios.

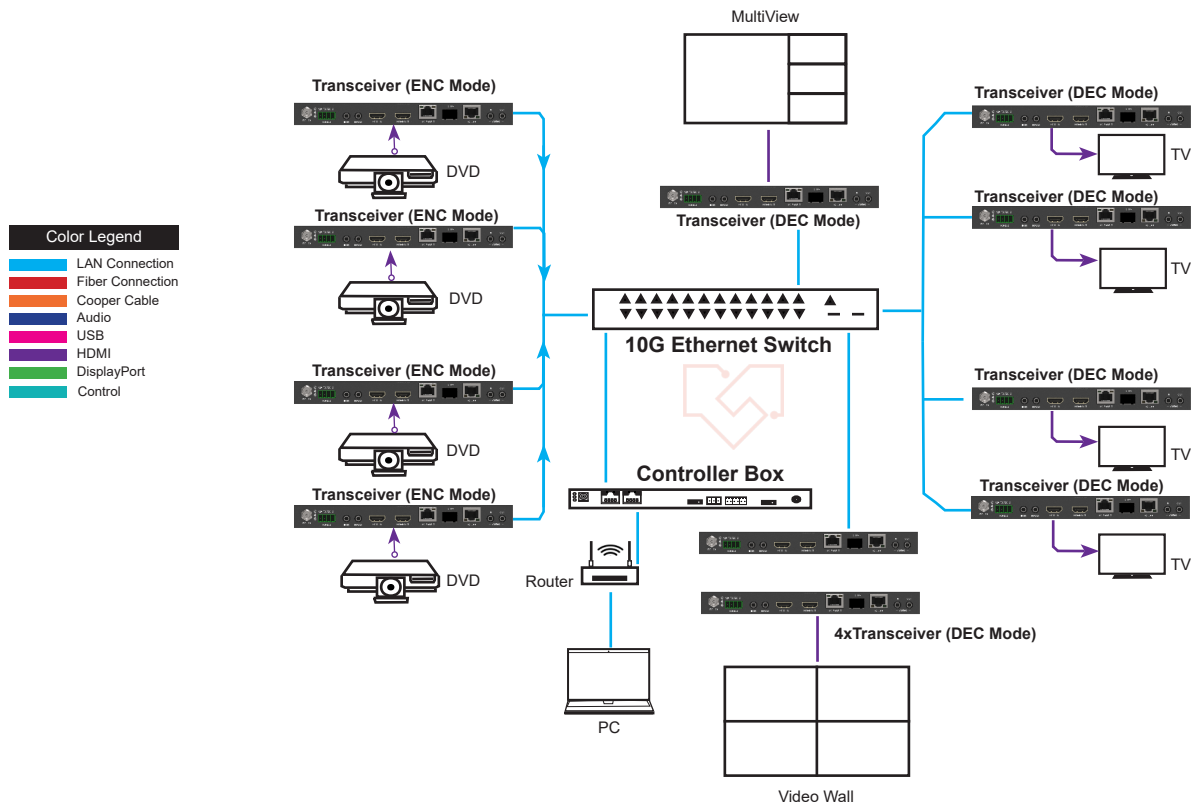
Featured Highlights

- Easy to create projects, control, and manage the system
- HTTPS, SSH, SFTP security compatible
- Built-in Web GUI control interface, supporting Drag & Drop operations
- Supports image preview
- Supports video, audio, RS-232, IR, KVM control, and management of the distributed system
- Dual network ports (VIDEO LAN port supports POE function) to isolate Controls and Multicast networks.
- Supports LAN/RS-232 port control and third-party central control
- Supports IR signal receiving (3.5mm audio jack, 12V level)
- 4 channel GPIO control ports (5V/12V optional level)
- Multiple circuits protection, lightning protection, and ESD design
- Reliable system design, ensuring 7*24 hours reliable and stable work
-

SPECIFICATIONS

Network Video Bandwidth	Up to 1G
Transmission Distance	100m CAT 5E/6/6A/7
Control Ports	2 x 1G LAN [RJ45 connector] [VIDEO LAN support POE] 1 x IR IN [3.5mm audio jack, 12V level] 1 x IR OUT [3.5mm audio jack] 1 x DIGITAL I/O [6-pin 3.81mm phoenix connector] 2 x RS-232 [3-pin 3.81mm phoenix connector] 1x USB Host [Micro USB, 5-pin female]
Dimensions	204mm(W)×98.5mm(D)×21.5mm(H)
Housing	Metal Enclosure
Color	Black
Weight	508g
Power Supply	12V/1A
Power Consumption	8.4W
Operating Temperature	0°C ~ 40°C / 32°F ~ 104°F
Storage Temperature	-20°C ~ 60°C / -4°F ~ 140°F
Relative Humidity	20~90% RH (non-condensing)

Classic Application Example



Applications

Digital Signage, Conference Rooms, Operating Rooms and Audio-Video Rooms