



4K60 over IP 1GbE with Video Wall Processing

This product is based on JPEG2000 technology. It integrates Copper port and Fiber port within a single box. Encoder input supports up to 4K60 4:4:4, audio embedding or extracting. Decoder output supports up to 4K60 4:4:4, audio extracting. The product supports ARC/eARC/SPDIF/Analog audio return function, also supports USB2.0/KVM/Camera, 1G Ethernet, bidirectional RS-232, two-way IR and POE function. Guest mode controls of RS-232, IR, CEC are supported. Built-in two channel RELAY ports and two channel I/O ports for contact control.

Built-in MJPEG Substream which supports plenty API commands to achieve flexible configurations is useful for 3rd party control Apps to preview video content.

The system is based on Linux for software development, provides flexible control methods, that are based on the intelligent networking of 1G Ethernet Switch.

Featured Highlights

- HDMI 2.0b, HDCP 2.2 compliant
- Support 18Gbps video bandwidth
- Input and output video resolution is up to 4K60 4:4:4
- Signal transmission distance can be extended up to 328ft / 100m via CAT5E/6/6A/7 cable
- Transmit video, analog/digital audio, IR , RS-232, CEC and USB over Ethernet
- Integrate Copper port and Fiber port within a single box
- ARC/eARC/SPDIF/Analog audio return function
- Channel configuration via front panel buttons and LED screen
- Built-in two channel RELAY ports and two channel I/O ports for contact control
- Support unicast and multicast functions
- Support point-to-point, video matrix and video wall functions (video wall supports up to 9x9)
- Intelligent video wall class management
- Support MJPEG Substream real-time preview
- 1G Ethernet Switch
- Support POE function
- Built-in web page configuration and control, Telnet and SSH as well
- HDMI audio formats: LPCM 2.0/5.1/7.1CH, Dolby Digital/Plus/EX, Dolby
- True HD, DTS, DTS-96/24, DTS-EX DSD, DTS High Res, DTS-HD Master
- Smart networking design for easy and flexible installation

TECHNICAL

HDMI Compliant	HDMI 2.0b
HDCP Compliant	HDCP 2.2
Video Bandwidth	18Gbps
Video Compression Standard	JPEG2000
Video Network Bandwidth	1G
Video Resolution	Up to 4K@60Hz 4:4:4
Color Depth	Input: 8/10/12-bit Output: 8-bit
Color Space	RGB 4:4:4, YCbCr 4:4:4 / 4:2:2 / 4:2:0
HDMI Audio Formats	LPCM 2.0/5.1/7.1CH, Dolby Digital/Plus/EX, Dolby True HD, DTS, DTS-96/24, DTS-EX DSD, DTS High Res, DTS-HD Master
Transmission Distance	100M CAT5E/6/6A/7
IR Level	Default 12V, optional 5V
IR Frequency	Wideband 20K - 60KHZ
ESD Protection	Human body model — ±8kV (Air-gap discharge) & ±4kV (Contact discharge)

RESOLUTION / CABLE LENGTH	4K60 - FEET / METERS	4K30 - FEET / METERS	1080P60 - FEET / METERS
HDMI IN / OUT	16ft / 5M	32ft / 10M	50ft / 15M

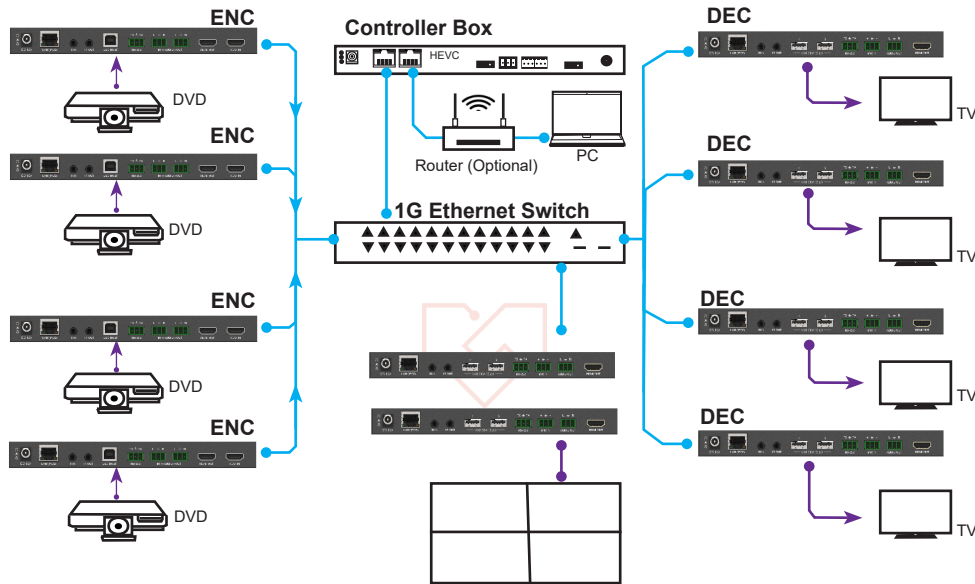
The use of "Premium High Speed HDMI" cable is highly recommended

MECHANICAL

Housing	Metal enclosure
Color	Black
Dimensions	204mm [W] x 136mm [D] x 25.5mm [H]
Weight	626g
Power Supply	Input: AC100 - 240V 50/60Hz Output: DC 12V/2.5A (US/EU standards, CE/FCC/UL certified)
Power Consumption	7.08W (Max.)
Operating Temperature	32 - 104°F / 0 - 40°C
Storage Temperature	-4 - 140°F / -20 - 60°C
Relative Humidity	20 - 90% RH (no condensing)

CONNECTION

Input	1 x SPDIF IN [Optical audio connector] 1 x L/R AUDIO IN [3-pin 3.81mm Phoenix connector]
Output	1 x HDMI OUT [Type A, 19-pin female] 1 x L/R AUDIO OUT [3-pin 3.81mm Phoenix connector]
Control	1 x RS-232 [3.81mm Phoenix connector] 1 x LAN (POE) [RJ45 jack] 1 x FIBER [Optical fiber slot] 2 x USB 1.1 DEVICE [Type-A, 4-pin female] 2 x USB 2.0 DEVICE [Type-A, 4-pin female] 2 x RELAYS [3.81mm Phoenix connector] 2 x DIGITAL IO [3.81mm Phoenix connector] 1 x IR IN [3.5mm Audio Jack] 1 x IR OUT [3.5mm Audio Jack]

Classic Application Example

Applications

Digital Signage, Conference Rooms, Operating Rooms and Audio-Video Rooms