



1G H.265 HDMI 1080p@60Hz over IP w/Videowall Processing with KVM, IR Transmitter (Encoder)

This AV over IP product distributes multiple HD contents to multiple HD display devices over a 100M/1G Network Switch. It offers configurable high quality, low-bandwidth H.265/H.264 configurable compression video and supports resolution up to 1920x1200@60Hz 4:4:4. Signal transmission distance can be extended up to 328ft/100m via CAT5E/6/6A/7 cable. The encoder supports HDMI local loop output. The product supports analog audio embedding and extracting. It also supports USB/KVM function, bidirectional IR/RS-232 control (pass-through & Guest mode), and single-machine control (without a Controller Box, matrix switching can be realized with panel buttons, local IR, or RS-232 control).

Featured Highlights

- Standard H.265 Encoding/Decoding 100m/1G managed network switch
- HDMI 1.4b, HDCP 1.4 compliant
- Supports up to 1080p @60Hz (4:4:4) and 1920x1200 @60Hz
- 1080p @60Hz encoding and decoding
- Supports audio embedding and extracting
- Supports USB KVM, two-way IR, and RS-232
- Available with seamless switching, Matrix, and Video Wall
- Encoder supports HDMI Loop out
- Encoder built-in H.264 stream for video preview
- Standard PoE supported (802.3af PD device)
- Supports Button, IR, RS-232, TCP/IP, Web GUI control
- Available with security management
- Works with IP controller box VLIP-H51G-CTRL
VLIP-H5HDK-DC - Decoder

SPECIFICATIONS

HDMI Compliance	HDMI 1.4
HDCP Compliance	HDCP 1.4
Video Bandwidth	4.95Gbps
Video Compression Standard	H.265/H.264
Transmission Distance	100m (CAT5E/6/6A/7)
IR Level	12Vp-p
IR Frequency	Wideband 20 k - 60 KHZ
Video Resolution	Up to 1920x1200@60Hz 4:4:4
Color Space	RGB4:4:4, YCbCr 4:4:4, YCbCr 4:2:2
Color Depth	Input: 8-bit, 10-bit, 12-bit (1080p@60Hz); Output: 8-bit
Audio Formats	LPCM 2.0CH (32/44.1/48KHz)

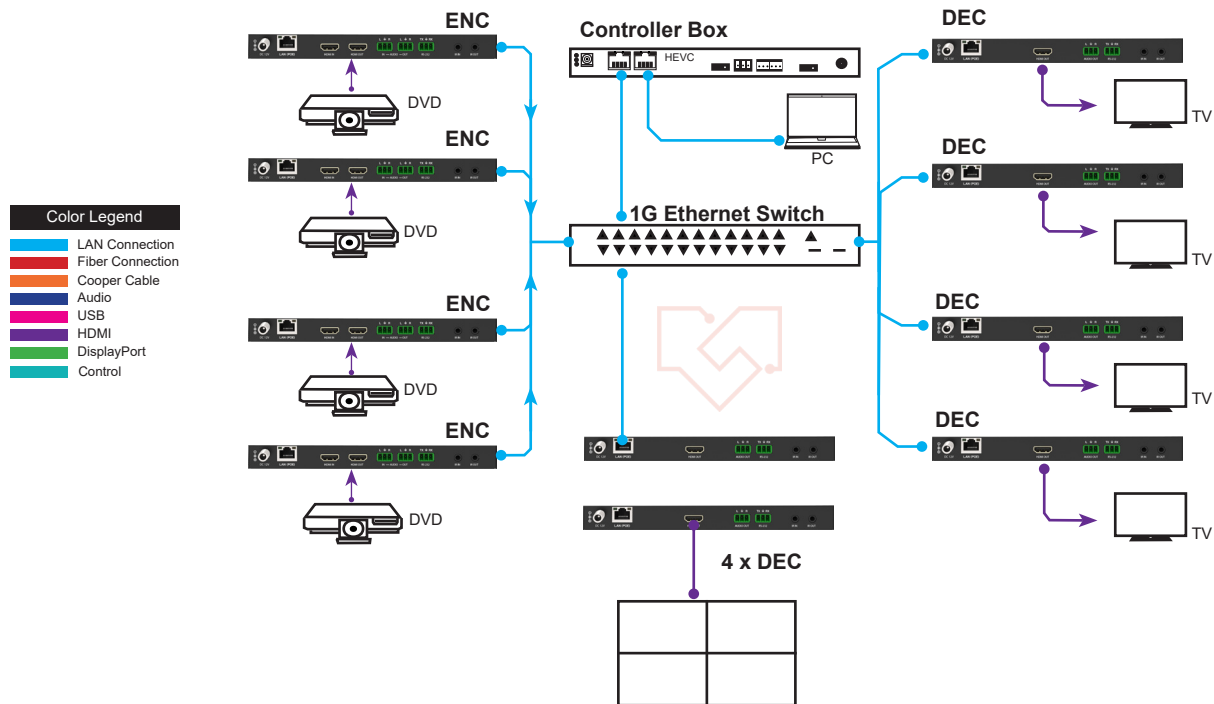
MECHANICAL

Housing	Metal enclosure
Color	Black
Dimensions	204mm [W] x 95mm [D] x 21.5mm [H]
Weight	468g
Power Supply	Input: AC100 - 240V 50/60Hz, Output: DC 12V/1A
Power Consumption	4.08W
Operating Temperature	14 - 113°F / -10 - 45°C
Storage Temperature	-4 - 140°F / -20 - 60°C
Relative Humidity	20 - 90% RH (no condensing)

CONNECTIONS

Encoder	1x HDMI IN [Type A, 19-pin female] 1x HDMI OUT [Type A, 19-pin female] 1x AUDIO IN [3-pin phoenix connector] 1x AUDIO OUT [3-pin phoenix connector] 1x RS-232 [3-pin phoenix connector] 1x LAN [RJ45 connector, POE] 1x IR IN [3.5mm audio jack, 12V IR] 1x IR OUT [3.5mm audio jack, 12V IR] 1x USB Host [Type B, 4-pin female] 2x USB Devices [Type A, 4-pin female]
---------	--

Classic Application Example



Applications

Digital Signage, Conference Rooms, Operating Rooms and Audio-Video Rooms