



1G H.265 HDMI 1080p@60HZ over IP w/Videowall Processing with KVM, IR Receiver (Decoder)

This AV over IP product distributes multiple HD contents to multiple HD display devices over a 100M/1G Network Switch. It offers configurable high-quality low-bandwidth H.265/H.264 configurable compression video and supports resolution up to 1920x1200@60Hz 4:4:4. Signal transmission distance can be extended up to 328ft/100m via CAT5E/6/6A/7 cable. The encoder supports HDMI local loop output. The product supports analog audio embedding and extracting. It also supports USB/KVM function, bidirectional IR/RS-232 control (pass-through & Guest mode), and single-machine control (without a Controller Box, matrix switching can be realized with panel buttons, local IR, or RS-232 control).

Featured Highlights

- HDMI 1.4 and HDCP 1.4 compliant
- Video resolution up to 1920x1200@60Hz 4:4:4
- Supports 4.95Gbps video bandwidth
- Signal transmission distance can be extended up to 328ft / 100m via CATE/6/6A/7 cable
- Supports point-to-point signal extension
- Supports signal distribution, multicast mode, distributed matrix, and video wall (up to 9 x 9) functions over a 1G Network Switch mode)
- Intelligent video wall class management makes it achievable for wall-in-wall or novel layout of wall configurations
- Support LPCM 2.0CH (32/44.1/48KHz) audio format
-
-
- The encoder supports HDMI local loop output
- Supports audio embedding and extracting
- Supports USB/KVM function (one to one & one too many), and bidirectional
- IR/RS-232 control (pass-through & Guest
- Support mainstream and Substream encoding modes
- Stream parameters can be set via API commands
- Controlled via panel buttons, IR, RS-232, TCP/IP, Web GUI and Controller Box
- Supports POE function (802.3af Class 3, PD mode)
- Smart networking design for easy and flexible installation



SPECIFICATIONS

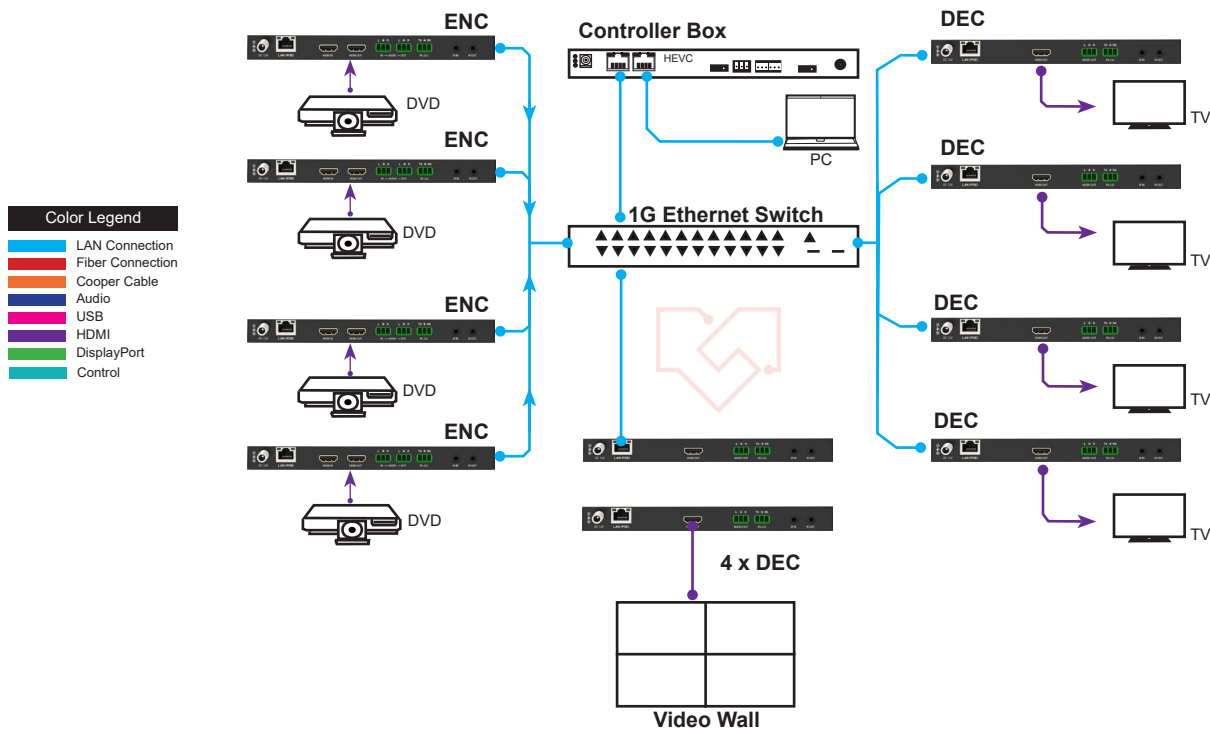
HDMI Compliance	HDMI 1.4
HDCP Compliance	HDCP 1.4
Video Bandwidth	4.95Gbps
Video Compression Standard	H.265/H.264
Transmission Distance	100m (CAT5E/6/6A/7)
IR Level	12Vp-p
IR Frequency	Wideband 20 k - 60 KHZ
Video Resolution	Up to 1920x1200@60Hz 4:4:4
Color Space	RGB4:4:4, YCbCr 4:4:4, YCbCr 4:2:2
Color Depth	Input: 8-bit, 10-bit, 12-bit (1080p@60Hz); Output: 8-bit
Audio Formats	LPCM 2.0CH (32/44.1/48KHz)

MECHANICAL

Housing	Metal Enclosure
Color	Black
Dimensions	204mm [W] x 95mm [D] x 21.5mm [H]
Weight	468g
Power Supply	Input: AC100 - 240V 50/60Hz, Output: DC 12V/1A
Power Consumption	2.76W
Operating Temperature	0°C ~ 40°C / 32°F ~ 104°F
Storage Temperature	-4 - 140°F / -20 - 60°C
Relative Humidity	20 - 90% RH (no condensing)

CONNECTIONS

Decoder	1x HDMI OUT [Type A, 19-pin female] 1x LAN [RJ45 connector, POE] 1x AUDIO OUT [3-pin phoenix connector] 1x RS-232 [3-pin phoenix connector] 1x IR IN [3.5mm audio jack, 12V IR] 1x IR OUT [3.5mm audio jack, 12V IR] 2x USB Devices [Type A, 4-pin female]
---------	--

Classic Application Example

Applications

Digital Signage, Conference Rooms, Operating Rooms and Audio-Video Rooms