



1G H.265 HDMI 1080p@60HZ over IP w/Videowall Processing Receiver (Decoder)

The AV over IP product distributes multiple HD contents to multiple HD display devices over a 100M/1G Network Switch. It offers configurable high-quality, low-bandwidth H.265/H.264 configurable compression video and supports resolution up to 1920x1200@60Hz 4:4:4. Signal transmission distance can be extended up to 328ft / 100m via CAT5E/6/6A/7 cable. The product supports analog audio embedding and extracting. It also supports RS-232 control (pass-through & Guest mode) and single-machine control (without a Controller Box, matrix switching can be realized with panel buttons or RS-232 control).

Featured Highlights

- HDMI 1.3 and HDCP 1.4 compliant
- Video resolution up to 1920x1200@60Hz 4:4:4
- Supports 4.95Gbps video bandwidth
- Signal transmission distance can be extended up to 328ft / 100m via CAT5E/6/6A/7 cable
- Supports point-to-point signal extension
- Supports signal distribution, multicast mode, distributed matrix, and video wall (up to 9 x 9) functions over a 1G Network Switch
- Intelligent video wall management makes it achievable for the novel layout of wall configurations
- Supports LPCM 2.0CH (32/44.1/48KHz) audio format
- Supports audio embedding and extracting
- Supports RS-232 control (pass-through & Guest mode)
- Supports mainstream and Substream encoding modes
- Stream parameters can be configured via Web GUI or Controller Box
- Controlled via panel buttons, RS-232, TCP/IP, Web GUI, and Controller Box
- Supports POE function (802.3af Class 3, PD mode)
- Smart networking design for easy and flexible installation



SPECIFICATIONS

HDMI Compliance	HDMI 1.3
HDCP Compliance	HDCP 1.4
Video Bandwidth	4.95Gbps
Video Compression Standard	H.265/H.264
Transmission Distance	100m (CAT5E/6/6A/7)
Video Resolution	Up to 1920x1200@60Hz 4:4:4
Color Space	RGB4:4:4, YCbCr 4:4:4, YCbCr 4:2:2
Color Depth	Input: 8-bit, 10-bit, 12-bit (1080p@60Hz); Output: 8-bit
Audio Formats	LPCM 2.0CH (32/44.1/48KHz)

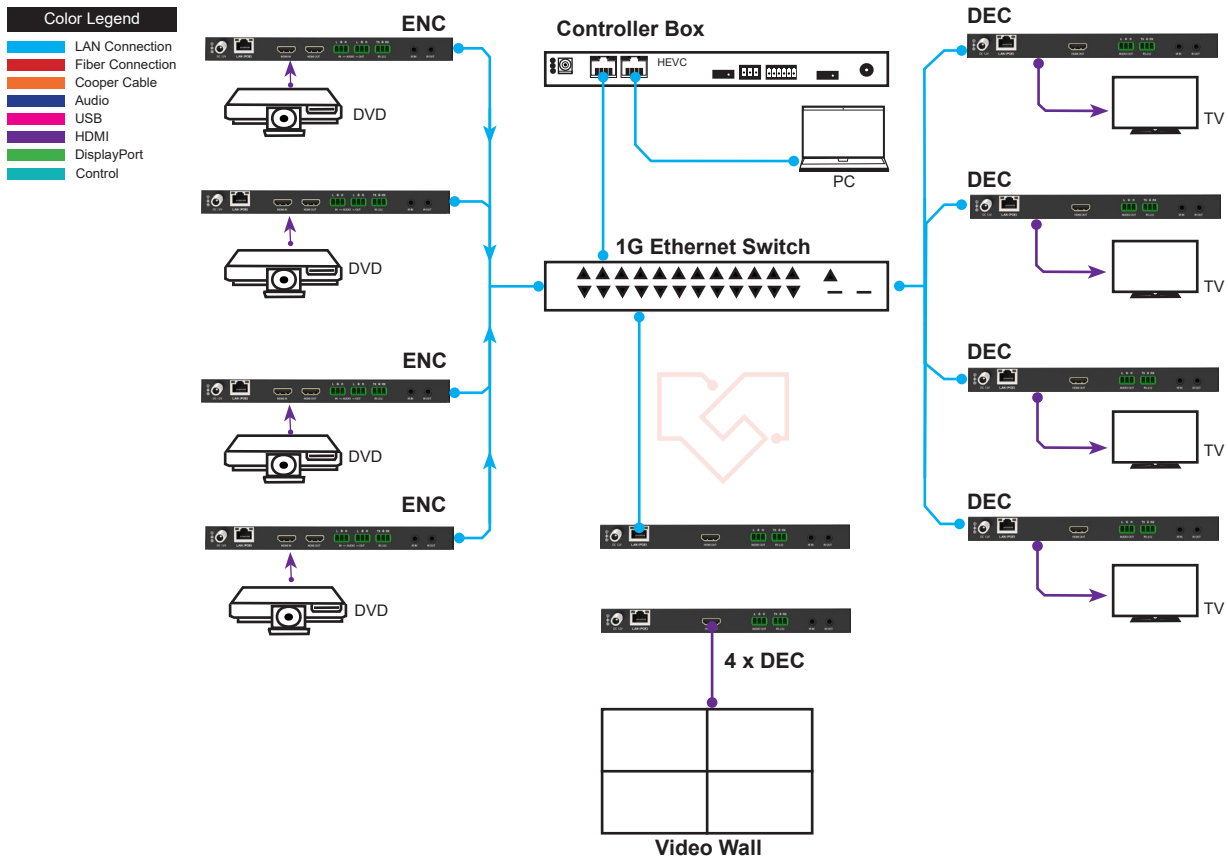
CONNECTIONS

Decoder	1x HDMI OUT [Type A, 19-pin female] 1x LAN [RJ45 connector, POE] 1x AUDIO OUT [3-pin phoenix connector] 1x RS-232 [3-pin phoenix connector]
---------	--

MECHANICAL

Housing	Metal enclosure
Color	Black
Dimension	120mm [W] x 95mm [D] x 21.5mm [H]
Weight	74g
Power Supply	Input: AC100 - 240V 50/60Hz, Output: DC 12V/1A
Power Consumption	Encoder: 2.88W, Decoder: 2.88W
Operating Temperature	14 - 113°F / -10 - 45°C
Storage temperature	-4 - 140°F / -20 - 60°C
Relative Humidity	20 - 90% RH (non-condensation)

APPLICATION EXAMPLE



Applications

Digital Signage, Conference Rooms, Operating Rooms and Audio-Video Rooms