



HDBaseT 3.0 Extender 100m with EARC

This HDBaseT 3.0 Extender can extend uncompressed HD/UHD video and audio signals, eARC/ARC, RS-232, bi-directional IR, 1GbE ethernet and USB2.0 signals up to 100m/328ft via a single Cat6A/7 cable. The transmitter supports audio embedding/de-embedding and the receiver supports audio de-embedding. It also supports eARC/ARC from RX's HDMI output pass-through to TX's HDMI input or de-embedding to TX's HDMI audio only and SPDIF output ports, USB 2.0 (host/device is configurable) and bi-directional PoC. The Extender offers the most convenient solution for HDMI extension via a single CAT cable with long distance capability and is the perfect solution for home/commercial applications.

2 Units: Transmitter and receiver units.

Featured Highlights

- HDMI 2.0b, HDCP 2.2 compliant
- Uncompressed 4K2K@60Hz with 24bit RGB/YCBCR 4:4:4 over CAT
- HDR, HDR10, HDR10+, Dolby Vision pass through
- Supports LPCM 7.1CH, Dolby TrueHD, and DTS-HD Master Audio
- Up to 100 meters using CAT6/6A cable
- Supports eARC/ARC/SPDIF from RX to TX
- TX HDMI OUT can set to audio only (eARC/ARC/SPDIF) for legacy AVR
- TX supports audio de-embedded or embedded
- RX supports audio de-embedded
- USB 2.0 high speed, LAN and two-way IR and RS-232 transmission
- Two-way 24V POC (Power over Cable)

SPECIFICATIONS

HDMI Compliance	HDMI 2.0b		
HDCP Compliance	HDCP 2.2		
Video Bandwidth	18Gbps		
Video Resolution	Up to 4K@60Hz 4:4:4		
HDBaseT Bandwidth	16Gbps on main and 2Gbps on return link		
HDR	HDR, HDR10, HDR10+, Dolby Vision, HLG		
Color Space	RGB, YCbCr 4:4:4, YCbCr 4:2:2, YCbCr 4:2:0		
Color Depth	8/10/12-bit		
Audio Formats	LPCM, Dolby Digital/Plus/EX, Dolby True HD, DTS, DTS-EX, DTS-96/24, DTS High Res, DTS-HD, Master Audio, DSD		
L/R Audio Formats	PCM 2.0		
SPDIF Audio Formats	LPCM2.0, AC3 5.1, DTS 5.1		
IR Level	12Vp-p		
IR Bandwidth	20K - 60KHz		
USB Bandwidth	Up to 350Mbps		
Ethernet	1000Mbps		
RS-232	Up to 921600bps		
Transmission Distance	100m (via a single CAT 6A/7 cable)		
ESD Protection	Human body model — ±8kV (Air-gap discharge) & ±4kV (Contact discharge)		
Resolution / Cable Length	4K60 - Feet / Meters	4K30 - Feet / Meters	1080P60 - Feet / Meters
HDMI IN / OUT	16ft / 5M	32ft / 10M	50ft / 15M

The use of "Premium High Speed HDMI" cable is highly recommended.

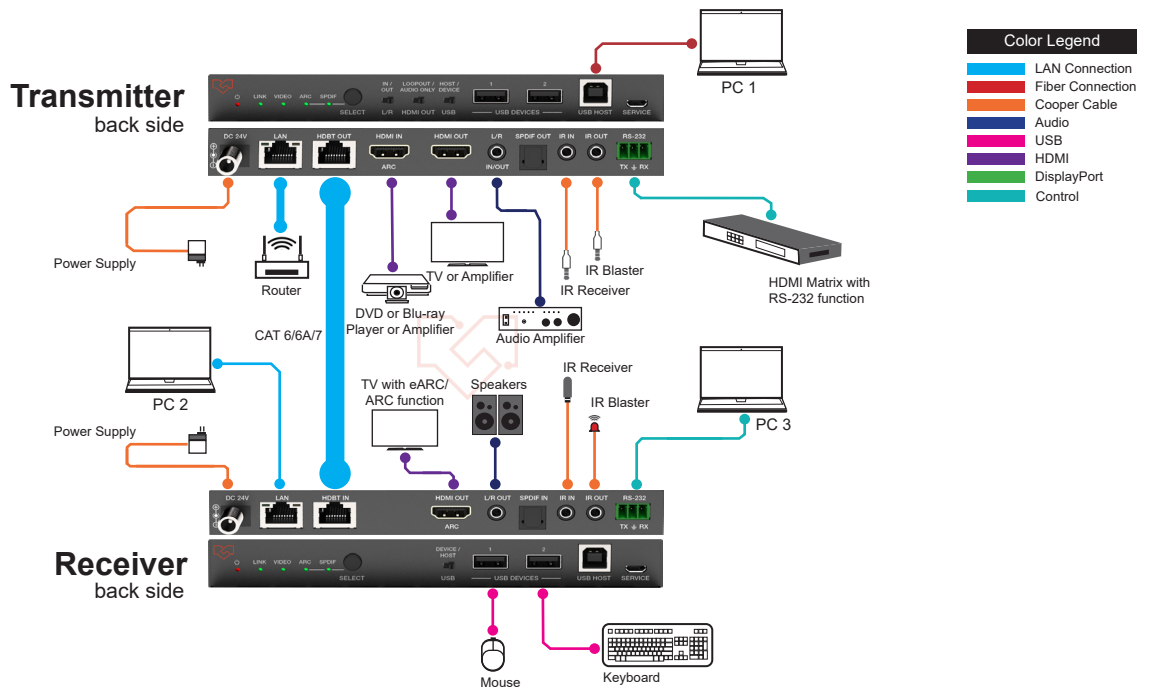
CONNECTIONS

Transmitter	Inputs: 1x HDMI IN [Type A, 19-pin female] Outputs: 1x HDMI OUT [Type A, 19-pin female] 1x HDBT OUT [RJ45, 8-pin female] 1x SPDIF OUT [S/PDIF] 1x L/R OUT [3.5mm Stereo Mini-jack] Controls: 1x IR IN [3.5mm Stereo Mini-jack] 1x IR OUT [3.5mm Stereo Mini-jack] 1x RS-232 [3pin-3.81mm Phoenix jack] 1x SERVICE [Mini-USB, Update port] 1x USB HOST [USB Type B] 2x USB DEVICES [USB Type A] 1x LAN [RJ45]
Receiver	Inputs: 1x HDBT IN [RJ45, 8-pin female] 1x SPDIF IN [S/PDIF] Outputs: 1x HDMI OUT [Type A, 19-pin female] 1x L/R OUT [3.5mm Stereo Mini-jack] Controls: 1x IR IN [3.5mm Stereo Mini-jack] 1x IR OUT [3.5mm Stereo Mini-jack] 1x RS-232 [3pin-3.81mm Phoenix jack] 1x SERVICE [Mini-USB, Update port] 1x USB HOST [USB Type B] 2x USB DEVICES [USB Type A] 1x LAN [RJ45]

MECHANICAL

Housing	Metal Enclosure
Color	Black
Dimensions	Transmitter / Receiver: 170mm [W] x 102mm [D] x 22mm [H]
Weight	Transmitter: 425g, Receiver: 437g
Power Supply	Input: AC 100 - 240V 50/60Hz Output: DC 24V/1A (US/EU standard, CE/FCC/UL certified)
Power Consumption	15.36W (POC)
Operating Temperature	32 - 104°F / 0 - 40°C
Storage Temperature	-4 - 140°F / -20 - 60°C
Relative Humidity	20 - 90% RH (no condensation)

Classic Application Example



Applications

Digital Signage, Conference Rooms, Operating Rooms and Audio-Video Rooms