



Front side



Back side

## 18Gbps HDBaseT Extender 150m

This 18Gbps HDMI Extender can take an HDMI video/audio signal, RS-232, and bi-directional IR, and extend it up to 492ft /150m between its transmitter and receiver units via a single Cat5e/6 cable. It supports resolutions up to 4k2k @60Hz (4:4:4), offers 18Gbps, and HDCP 2.2. One HDMI loop port is available for output. The extender also supports de-embedded audio for L/R audio output. In addition, the extender is equipped with a two-way IR pass-through which allows for source and display control.

2 Units: Transmitter and receiver units.

### Featured Highlights

- HDMI 2.0b, HDCP 2.2 compliant
- Up to 4K / 2K @60Hz with 24bit RGB / YCbCr (4:4:4)
- HDR, HDR10, HDR10+, Dolby Vision pass through
- Supports LPCM 7.1CH, Dolby TrueHD, and DTS-HD Master Audio
- Up to 120m (4K) and 150m (1080P) using CAT6/6A cable
- Two-way IR transmission
- USB 2.0 protocol, transmission rate up to 480Mbps transmission
- EDID management
- Two-way PoC (Power over Cable)

## SPECIFICATIONS

<b>HDCP Compliance</b>	HDCP 2.2 / HDCP 1.4
<b>Video Bandwidth</b>	18Gbps
<b>Video Resolution</b>	4K2K 50/60Hz 4:4:4 4K2K 50/60Hz 4:2:2 4K2K 50/60Hz 4:2:0 4K2K 30Hz 4:4:4 1080p, 1080i, 720p, 720i, 480p, 480i All HDMI 3D TV formats All PC resolutions including 1920 x 1200
<b>Color Space</b>	RGB / YCbCr 4:4:4, YCbCr 4:2:2, YCbCr 4:2:0
<b>Color Depth</b>	8/10/12-bit (1080P60Hz, 4K30Hz, 4K60Hz YCbCr 4:2:2/4:2:0) 8-bit (4K60Hz 4:4:4)
<b>HDMI Audio Formats</b>	LPCM 2.0/2.1/5.1/6.1/7.1, Dolby Digital, Dolby TrueHD, Dolby Digital Plus(DD+), DTS-ES, DTS HD Master, DTS HD-HRA, DTS-X
<b>L/R Audio Formats</b>	PCM 2.0
<b>ESD Protection</b>	Human body model — ±8kV (Air-gap discharge) & ±4kV (Contact discharge)

## RESOLUTION/DISTANCE

4K2K	394ft / 120M		
1080P	492ft / 150M		
<b>Resolution / Cable Length</b>	<b>4K60 - Feet / Meters</b>	<b>4K30 - Feet / Meters</b>	<b>1080P60 - Feet / Meters</b>
HDMI IN / OUT	16ft / 5M	32ft / 10M	50ft / 15M

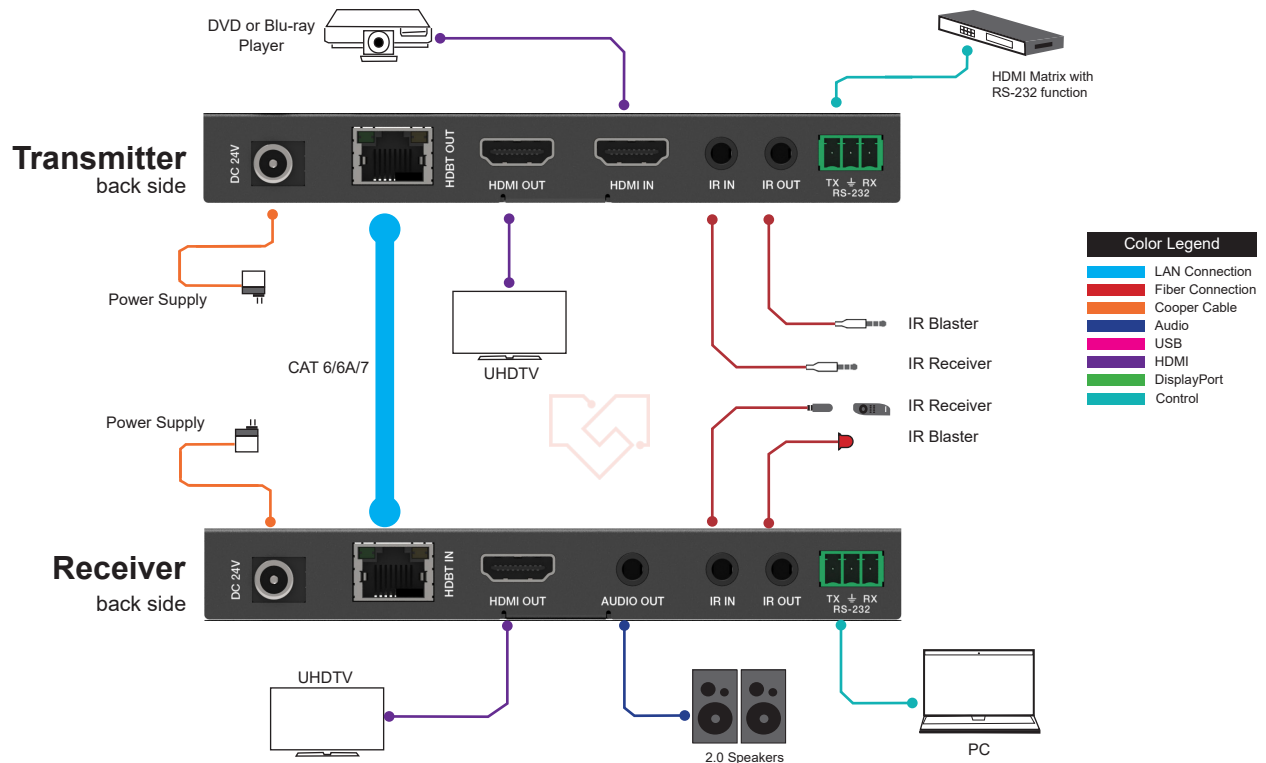
## CONNECTIONS

<b>Transmitter</b>	Inputs: 1x HDMI Type A [19-pin female] Outputs: 1x HDMI Type A [19-pin female] 1x HDBT OUT [RJ45, 8-pin female] Control: 1x IR IN [3.5mm Stereo Mini-jack] 1x IR OUT [3.5mm Stereo Mini-jack] 1x RS-232 [Phoenix jack] 1x SERVICE [Mini-USB, Update port]
<b>Receiver</b>	Inputs: 1x HDBT IN [RJ45, 8-pin female] Outputs: 1x HDMI Type A [19-pin female] 1x AUDIO OUT [3.5mm Stereo Mini-jack] Control: 1x IR IN [3.5mm Stereo Mini-jack] 1x IR OUT [3.5mm Stereo Mini-jack] 1x RS-232 [Phoenix jack] 1x SERVICE [Mini-USB, Update port]

## MECHANICAL

<b>Housing</b>	Metal Enclosure
<b>Color</b>	Black
<b>Dimensions</b>	Transmitter / Receiver: 140mm [W] x 65mm [D] x 18mm [H]
<b>Weight</b>	Transmitter: 160g, Receiver: 155g
<b>Power Supply</b>	Input: AC 100 - 240V 50/60Hz Output: DC 24V/1A (Locking connector)
<b>Power Consumption</b>	9.36 W
<b>Operating Temperature</b>	32 - 104°F / 0 - 40°C
<b>Storage Temperature</b>	-4 - 140°F / -20 - 60°C
<b>Relative Humidity</b>	20 - 90% RH (no condensation)

## Classic Application Example



Applications

Digital Signage, Conference Rooms, Operating Rooms and Audio-Video Rooms