



VLDT-AA2E

Dante 2CH Analog AudioEncoder with PoE



User Manual

VER 1.02

Thank you for purchasing this product

Please read these instructions carefully for optimum performance and safety before connecting, operating, or adjusting this product. Please keep this manual for future reference.

Surge protection device recommended

This product contains sensitive electrical components that electrical spikes may damage, surges, electric shock, lightning strikes, etc. The use of surge protection systems is highly recommended to protect and extend the life of your equipment.

Table of Contents

1. Introduction.....	1
2. Features.....	1
3. Package Contents.....	1
4. Specifications.....	2
5. Operation Controls and Functions.....	3
6. Application Example.....	4

1. Introduction

This Dante 2CH Analog Audio Encoder is an audio transmitter based on the Dante Ultimo solution. It supports balanced/unbalanced audio input and 3-level gain adjustment. It encodes audio signals and then transmits the audio to the receiving end through a network (Dante). It supports the PoE function.

2. Features

- ☆ Analog audio input supports balanced/unbalanced audio input (unbalanced access to "+" and "GND")
- ☆ Audio sampling rate supports 44.1kHz, 48kHz, and 96kHz (24bit)
- ☆ Dante solution supports AES67 RTP audio transmission
- ☆ Audio input supports 3-level gain adjustment : +18dBu, 0dBu (default) and -10dBV
- ☆ SupportS DC 12V power supply and PoE function(IEEE802.3af Class 0)

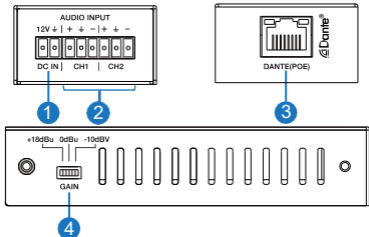
3. Package Contents

- ① 1× Dante 2CH Analog Audio Encoder
- ② 1× 6pin-3.81mm Phoenix Connector (male)
- ③ 1× 2pin-3.81mm Phoenix Connector (male)
- ④ 1× User Manual

4. Specifications

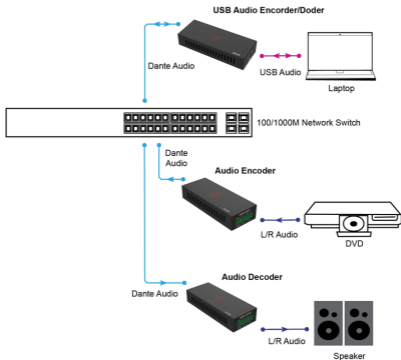
Technical	
Video Network Bandwidth	100M
Audio Formats	PCM 2.0 44.1kHz/48kHz/96kHz up to 24bit
Transmission Distance	100m (Cat 6/6A)
Control Method	Dante Controller
Connection	
Inputs	1x PWR [2-pin phoenix, 3.81mm] 1x AUD [6-pin phoenix, 3.81mm]
Output	1x DANTE [RJ45 connector, PoE]
Mechanical	
Housing	Metal Enclosure
Color	Black
Dimensions	120mm[W] x 47mm[D] x 26mm[H]
Weight	186g
Power Supply	DC input: 12V PoE input: IEEE802.3af Class 0
Power Consumption	1.2W
Operation Temperature	32 - 104°F / 0 - 40°C
Storage temperature	-4 - 140°F / -20 - 60°C
Relative Humidity	20 - 90% RH (Non-Condensation)

5. Operation Controls and Functions



No.	Name	Function Description
1	DC IN	DC 12V power input port.
2	AUDIO INPUT (CH1/CH2)	Two-channel analog audio input ports, supporting balanced and unbalanced audio.
3	DANTE (PoE)	Dante digital audio output port. Connect to the Network Switch through the RJ45 line, supporting the PDpower supply. The green LINK LED is always on after a normal connection. The yellow DATA LED flashes when there is data transmission.
4	GAIN switch	Used for audio input gain adjustment, respectively +18dBu, 0dBu (default), -10dBV.

6. Application Example



Trademarks

Dante® is a registered trademark of Audinate Pty Ltd. All other trademarks are the property of their respective owners.