

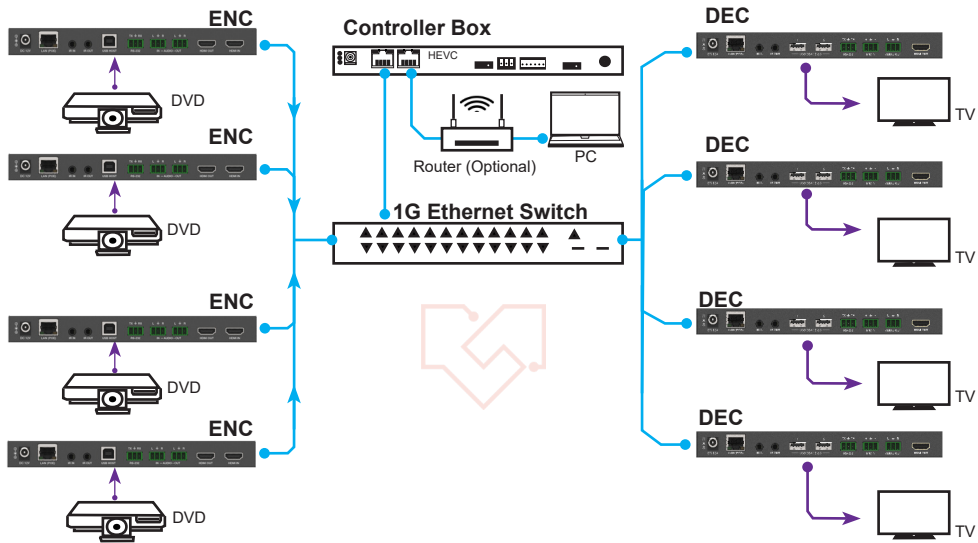


4K60 Videowall KVM Encoder

Featured Highlights

- 4K60 (4:4:4) over IP JPEG2000, HDR10/Dolby Vision/HLG
- HDMI 2.0b, HDCP 2.2 compliant
- Up to Dolby TrueHD, Dolby Atmos and DTS-HD, DTS:X
- Supports USB KVM, two-way IR and RS-232
- Unicast, multicast, matrix, video wall up to 9x9
- Encoder built-in sub-stream for video preview on portable devices
- Supports button, IR, RS-232, TCP/IP, web GUI control
- Standard POE supported (802.3af PD device)
- 1G network switch with IGMP snooping and 8K jumbo supported
- Flexible audio routes control
- Optional built-in Dante® Ultimo module
- ARC and EARC versions, SPDIF audio return transmission
- Digital I/O and relay controls (JP4K6K only)
- Security management
- Matching decoder VLIP-JP4K6K-DC
- Works with IP controller box VLIP-JP1G-CTRL

Classic Application Example



Applications

Digital Signage, Conference Rooms, Operating Rooms and Audio-Video Rooms